

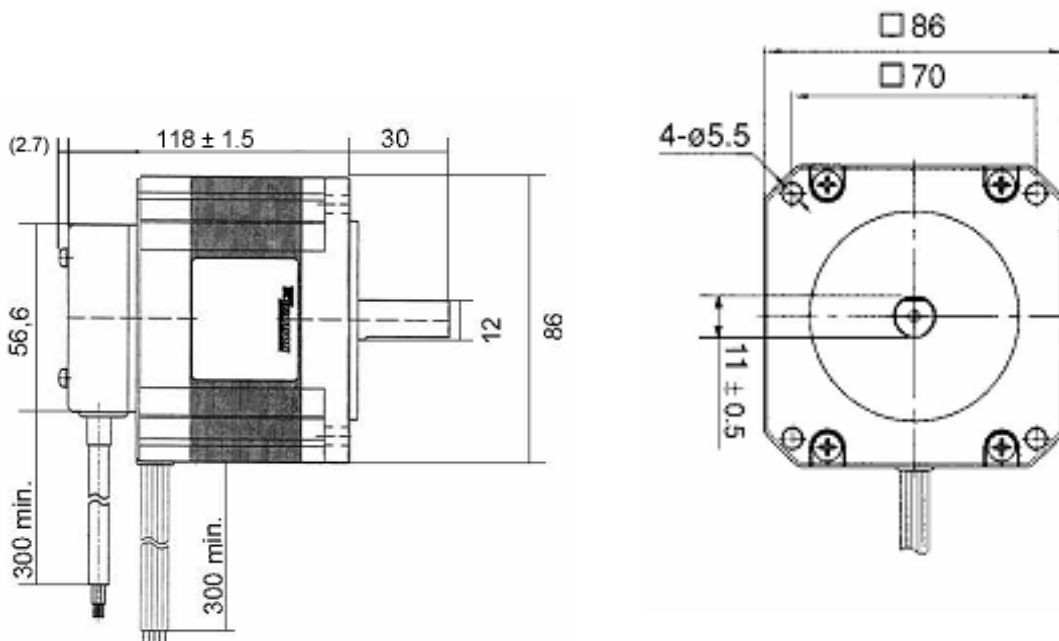


SECM599 Baureihe

5-Phasen-Schrittmotor mit Encoder
[0,72° High-Torque-Version]

Model	Bipolar				Speed Torque
	Holding Torque [Nm]	Current / Phase [A]	Resistance / Phase [Ohm]	Inductance / Phase [mH]	
P = Line Drive 500 Counts/Turn SECM599-T2.8P2500	4.1	2.8	0.67	4.3	

Number of Leads	Weight of Motor & Encoder	Size Length	Rotor Inertia
10	3.1 kg	120.7 mm	2000 x 10 ⁻⁷ kgm ²

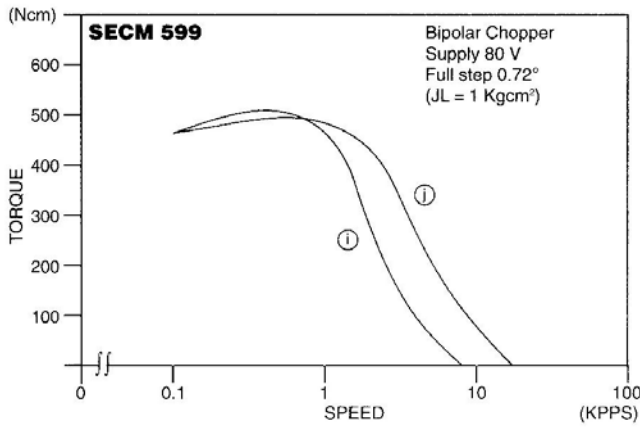


Optional sind für unsere Schrittmotoren Planetengetriebe erhältlich.

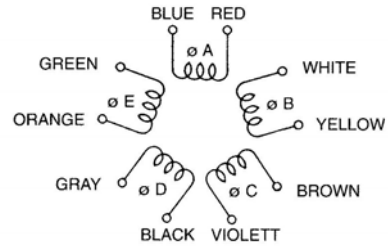


EC Motion GmbH - Auf den Steinen 20 - 41812 Erkelenz
Tel.: +49 (0)2164-7014-0 - Fax. : +49 (0)2164-701419
Internet: www.ec-motion.de - e-mail: info@ec-motion.de





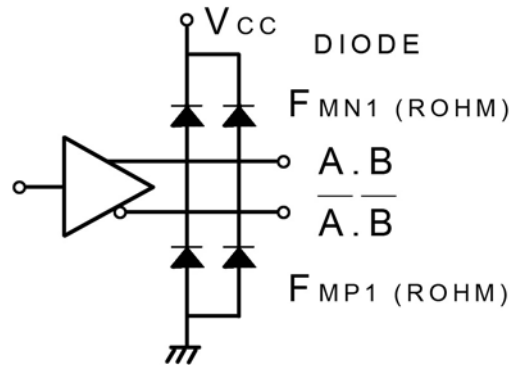
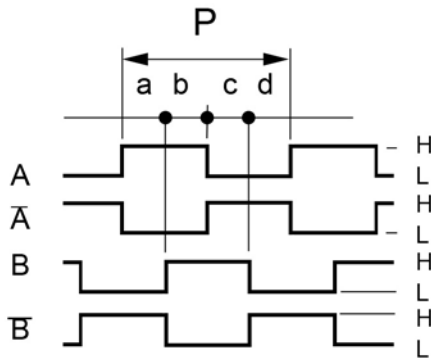
Schrittmotoranschluss



Encoder Performance

Operating Temp.range : 0°C – 85°C
 Supply : DC 5V ± 5% , 100mA max
 Resolution : 500 Counts / Turn
 Frequency Response : 100K Hz max.
 A phase difference : 1/4 P ± 1/8 P
 Code : Incremental A.B (2Ch.)

Output Signal : when output is high : DC 2.4V min
 Output Signal : when output is low : DC 0.4V max
 Sinking & Output Current : typical ± 20mA max
 Rise & Fall Times : 1 µsec max
 Moment of inertia : 5 g·cm² max Encoder only
 Output Circuit : Line Driver AM26C31IDB



CW Rotation viewed from mounting end. Encoder signal A and B position is "H" at Motor 4Phase on.

Color of Leadwires and Funktion :

DC 5V = red A phase = brown A-bar phase = orange
 GND = blue B phase = yellow B-bar phase = gray

(Old-Version)

A phase = brown A-bar phase = orange
 B phase = yellow B-bar phase = white
 DC 5V = red GND = black