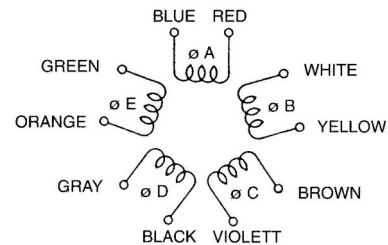
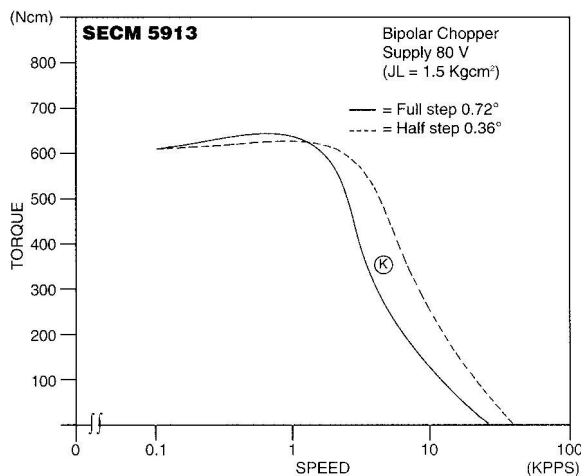
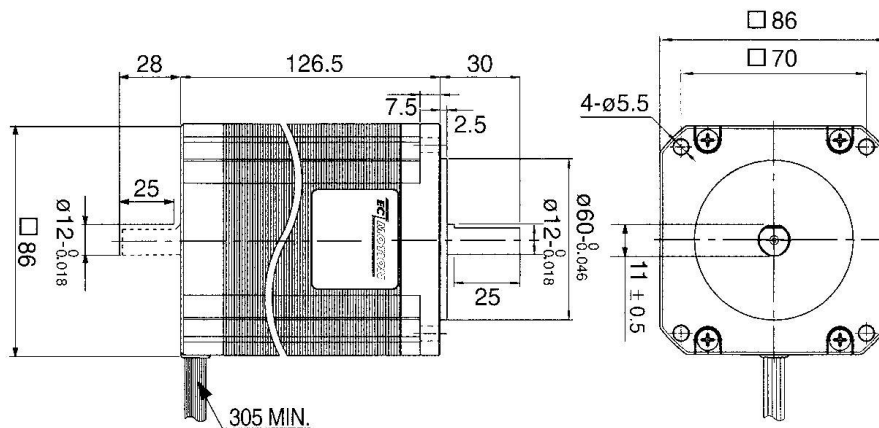


SECM5913... Series 5-Phase-Stepping Motor [0,72° High-Torque-Version]

Model	Full Step Angle	Holding Torque (Ncm)	Current/Phase (A)	Resistance/Winding (Ω)	Inductance/Winding (mH)	Voltage DC (V)	Torque/Speed
A = Single Shaft B = Double Shaft							
SECM 5913 - T 2.8 A SECM 5913 - T 2.8 B	0.72°	630	2.80	0.85	6.5	2.4	Ⓚ
Number of Leads	Weight (Kg)		Size Length (mm)		Rotor Inertia (Kgcm ²)		
10	4.0		86x86x126.5		3.0		



As options, we deliver Encoder and / or Planetary Gears for our Stepping Motors.