

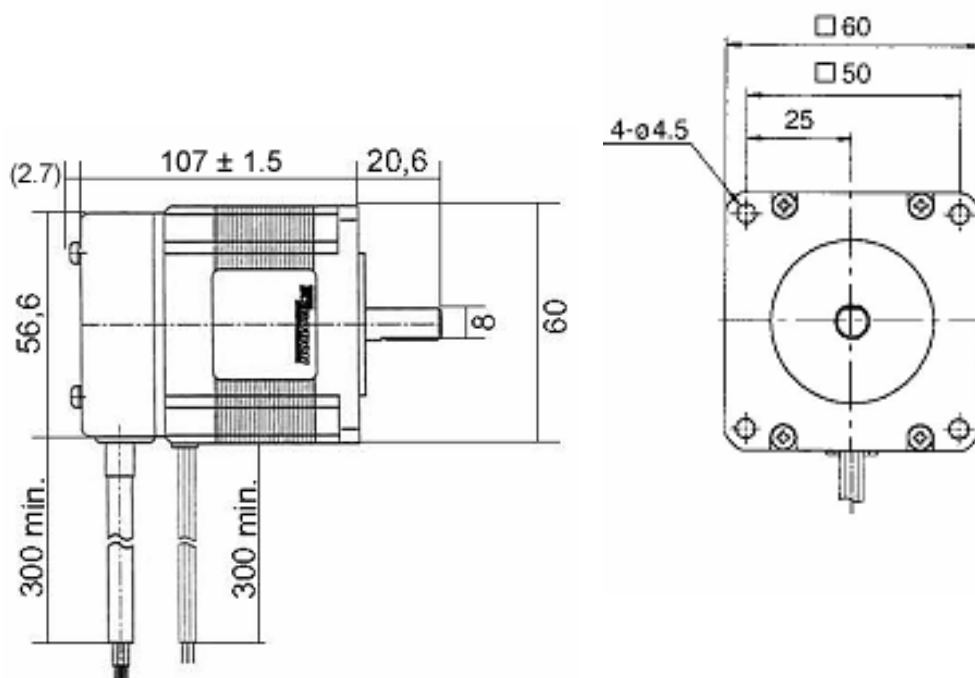


SECM569 Baureihe

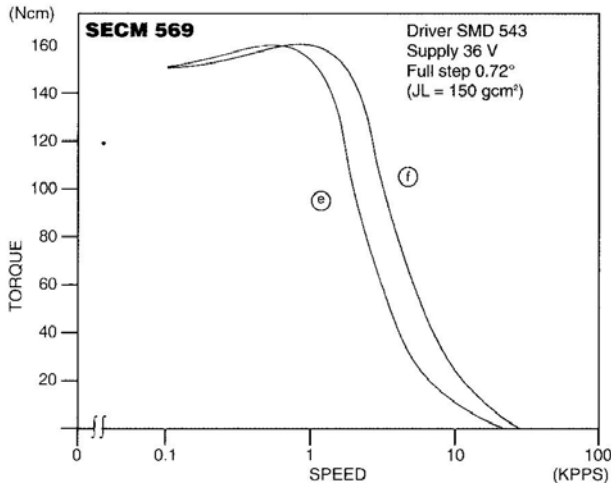
5-Phasen-Schrittmotor mit Encoder
[0,72° High-Torque-Version]

Model	Bipolar				Speed Torque
	Holding Torque [Nm]	Current / Phase [A]	Resistance / Phase [Ohm]	Inductance / Phase [mH]	
P = Line Drive 500 Counts/Turn SECM569-T1.4P2500	1.66	1.4	1.8	7.5	e

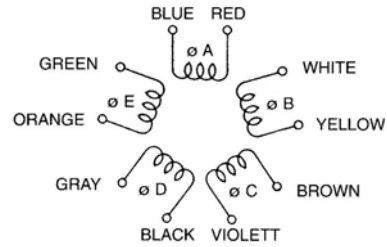
Number of Leads	Weight of Motor & Encoder	Size Length	Rotor Inertia
10	1.4 kg	109,7 mm	440 x 10 ⁻⁷ kgm ²



Optional sind für unsere Schrittmotoren Planetengetriebe erhältlich.



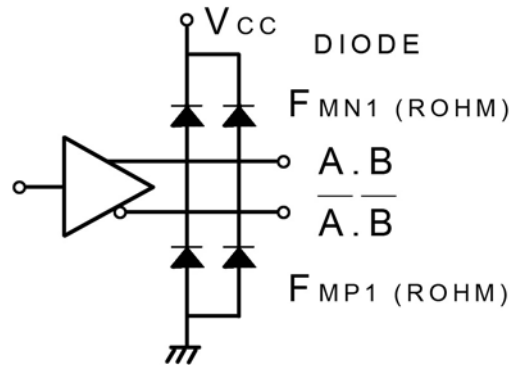
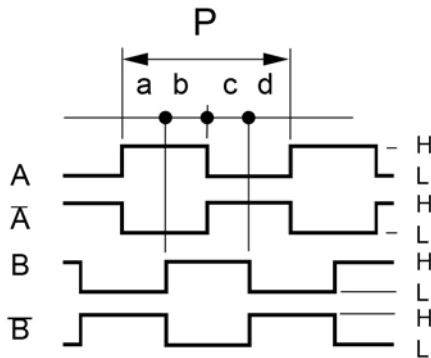
Schrittmotoranschluss



Encoder Performance

Operating Temp.range : 0°C – 85°C
 Supply : DC 5V ± 5% , 100mA max
 Resolution : 500 Counts / Turn
 Frequency Response : 100K Hz max.
 A phase difference : 1/4 P ± 1/8 P
 Code : Incremental A.B (2Ch.)

Output Signal : when output is high : DC 2.4V min
 Output Signal : when output is low : DC 0.4V max
 Sinking & Output Current : typical ± 20mA max
 Rise & Fall Times : 1 µsec max
 Moment of inertia : 5 g·cm² max Encoder only
 Output Circuit : Line Driver AM26C31IDB



CW Rotation viewed from mounting end. Encoder signal A and B position is "H" at Motor 4Phase on.

Color of Leadwires and Funktion :

DC 5V = red	A phase = brown	Ā phase = orange
GND = blue	B phase = yellow	B̄ phase = gray

(Old-Version)

A phase = brown	Ā phase = orange
B phase = yellow	B̄ phase = white
DC 5V = red	GND = black