

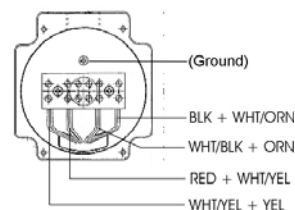
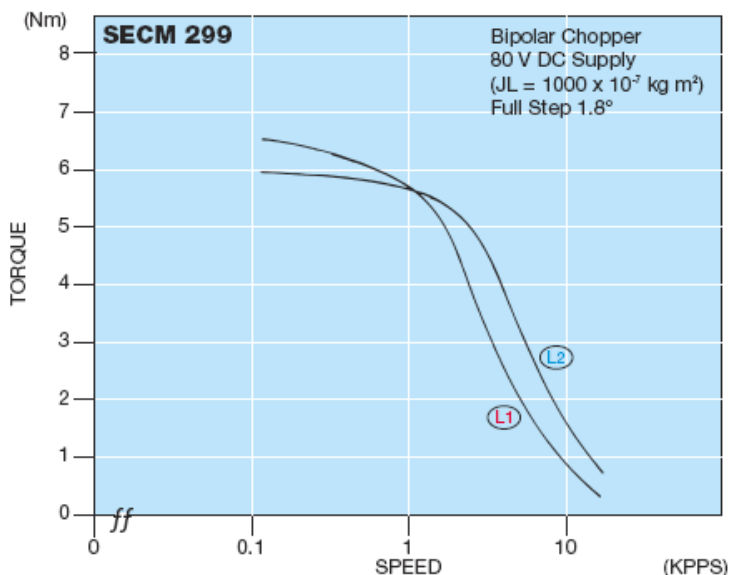
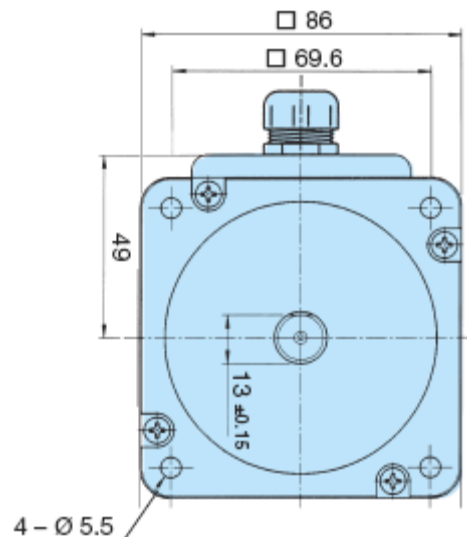
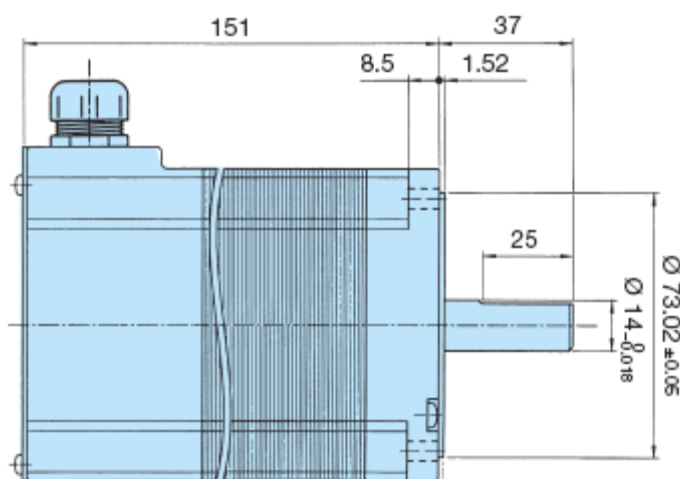


SECM299...T Serie 2-Phasen-Schrittmotor/Anschlußkasten [1,8° High-Torque-Version]

Model AE = Single Shaft T = Terminal Box	● Bipolar Parallel				● Bipolar Serial				● Unipolar				Torque Speed- curve
	Holding Torque [Nm]	Current/ Phase [A]	Resistance/ Phase [Ohm]	Inductance/ Phase [mH]	Holding Torque [Nm]	Current/ Phase [A]	Resistance/ Phase [Ohm]	Inductance/ Phase [mH]	Holding Torque [Nm]	Current/ Phase [A]	Resistance/ Phase [Ohm]	Inductance/ Phase [mH]	
SECM299-E4.5AE-T	7.30	6.4	0.3	3.1	7.30	3.2	1.2	12.4	5.40	4.5	0.6	3.1	(L1)
SECM299-E6.4AE-T	6.90	9.0	0.16*	1.1	6.90	4.5	0.64*	4.4	5.00	6.4	0.32*	1.1	(L2)

Number of Leads (Terminal Box)	Weight of Motor	Size Length	Rotor Inertia
8	3.9 kg	86 x 86 x 151 mm	3200 x 10 ⁻⁷ kgm ²

Resistance / Phase (Ω) = ± 15%, (* ± 20%), Inductance / Phase (mH) = ± 20%



Planetengetriebe sind optional erhältlich