

# EC MOTION

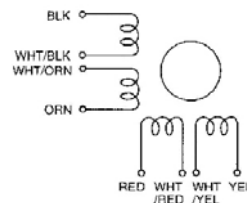
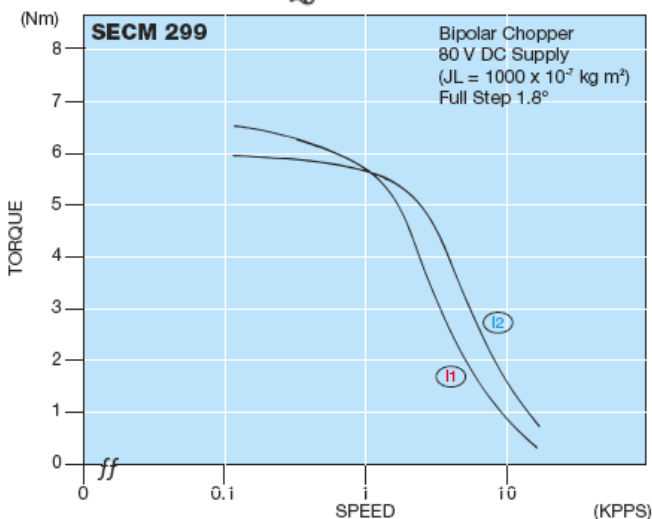
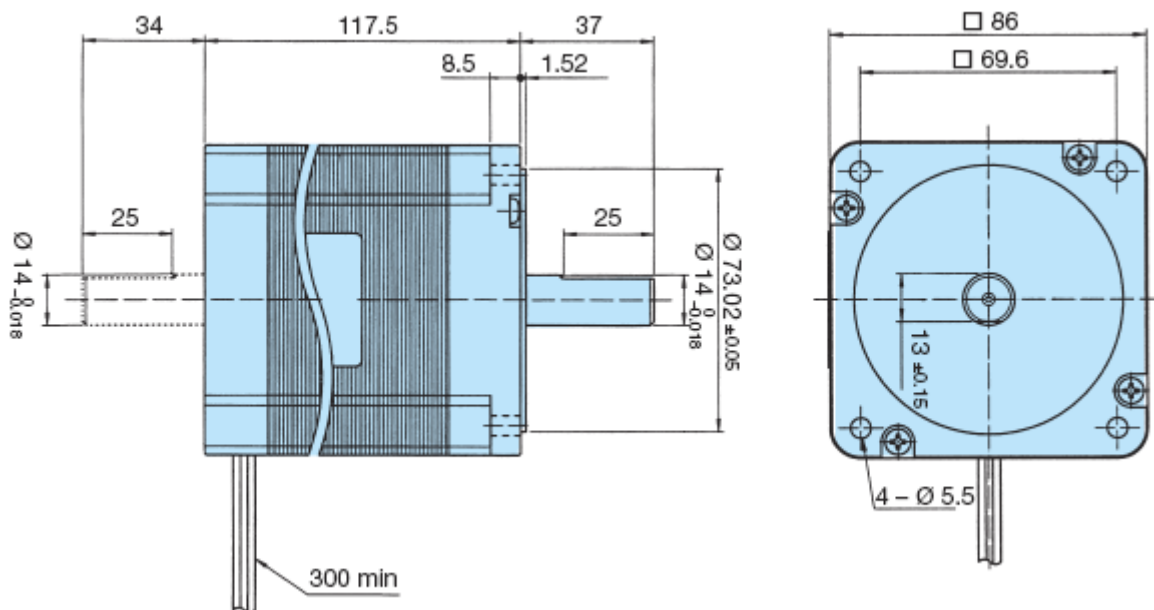


## SECM299... Serie 2-Phasen-Schrittmotor [1,8° High-Torque-Version]

Model AE = Single Shaft BE = Double Shaft	● Bipolar Parallel				● Bipolar Serial				● Unipolar				Torque Speed- curve
	Holding Torque [Nm]	Current/ Phase [A]	Resistance/ Phase [Ohm]	Inductance/ Phase [mH]	Holding Torque [Nm]	Current/ Phase [A]	Resistance/ Phase [Ohm]	Inductance/ Phase [mH]	Holding Torque [Nm]	Current/ Phase [A]	Resistance/ Phase [Ohm]	Inductance/ Phase [mH]	
SECM299-E4.5 (AE/BE)	7.30	6.4	0.3	3.1	7.30	3.2	1.2	12.4	5.40	4.5	0.6	3.1	(11)
SECM299-E6.4 (AE/BE)	6.90	9.0	0.16*	1.1	6.90	4.5	0.64*	4.4	5.00	6.4	0.32*	1.1	(12)

Number of Leads	Weight of Motor	Size Length	Rotor Inertia
8	3.5 kg	86 x 86 x 117.5 mm	3200 x 10 <sup>-7</sup> kgm <sup>2</sup>

Resistance / Phase (Ω) = ± 15%, (\* ± 20%), Inductance / Phase (mH) = ± 20%



Planetengetriebe sind optional erhältlich



EC Motion GmbH - Auf den Steinen 20 - 41812 Erkelenz  
Tel.: +49 (0)2164-7014-0 - Fax. : +49 (0)2164-701419  
Internet: www.ec-motion.de - e-mail: info@ec-motion.de

