

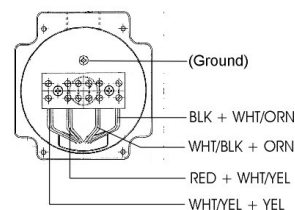
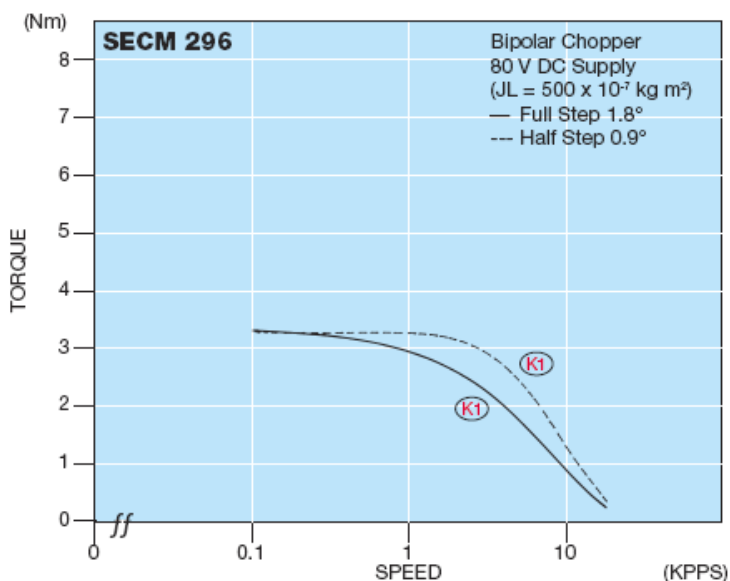
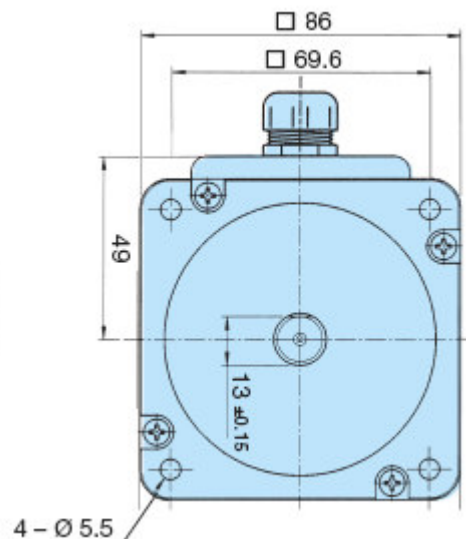
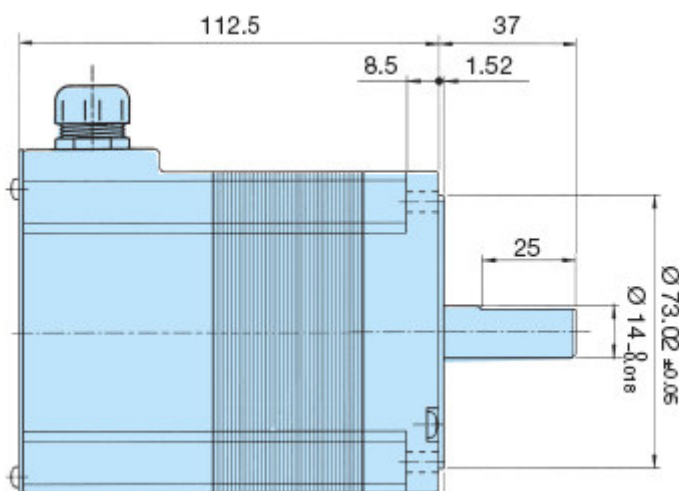
## SECM296...T Serie

### 2-Phasen-Schrittmotor/Anschlußkasten [1,8° High-Torque-Version]

Model AE = Single Shaft T = Terminal Box	● Bipolar Parallel				● Bipolar Serial				● Unipolar				Torque Speed-curve
	Holding Torque [Nm]	Current/Phase [A]	Resistance/Phase [Ohm]	Inductance/Phase [mH]	Holding Torque [Nm]	Current/Phase [A]	Resistance/Phase [Ohm]	Inductance/Phase [mH]	Holding Torque [Nm]	Current/Phase [A]	Resistance/Phase [Ohm]	Inductance/Phase [mH]	
SECM296-E4.5AE-T	3.70	6.4	0.2	1.6	3.70	3.2	0.8	6.4	2.75	4.5	0.4	1.6	(K1)

Number of Leads (Terminal Box)	Weight of Motor	Size Length	Rotor Inertia
8	2.5 kg	86 x 86 x 112.5 mm	1600 x 10 <sup>-7</sup> kgm <sup>2</sup>

Resistance / Phase (Ω) = ± 15%, Inductance / Phase (mH) = ± 20%



Planetengetriebe sind optional erhältlich