

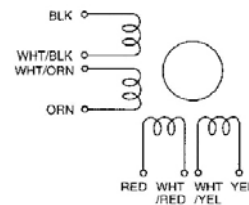
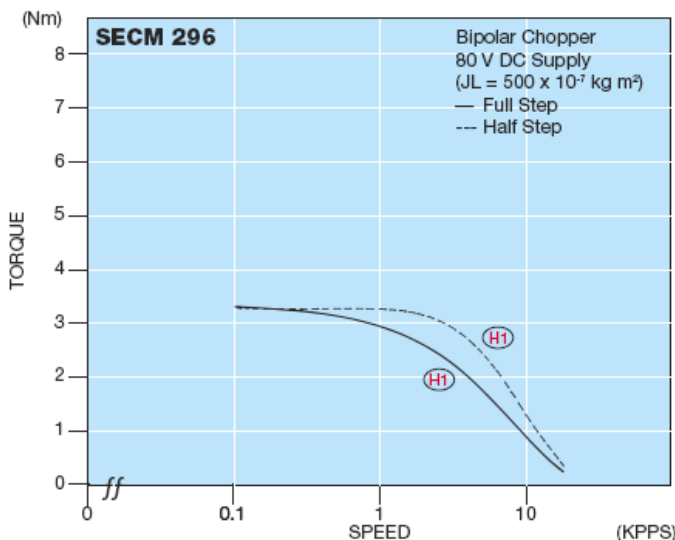
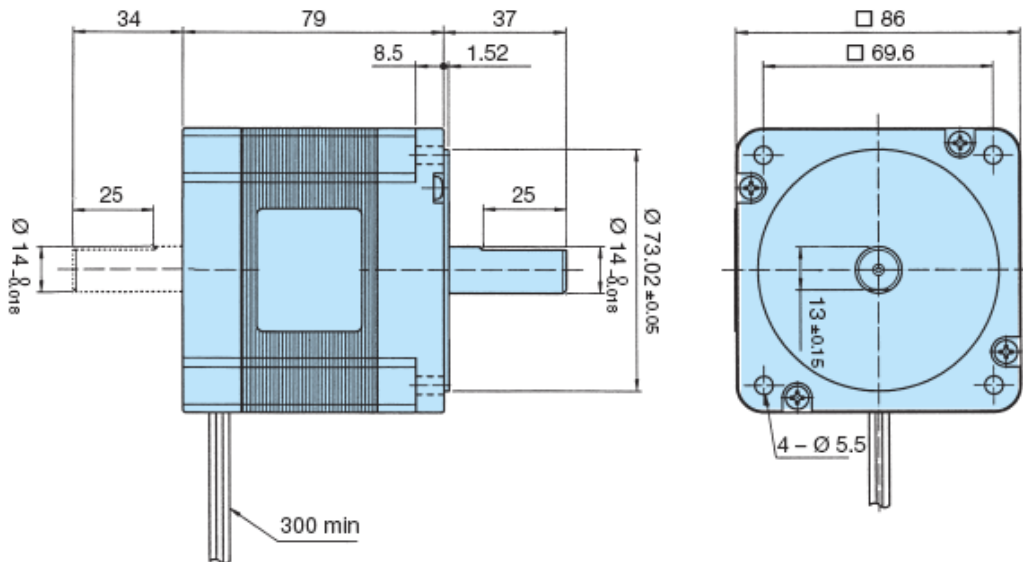


SECM296... Serie 2-Phasen-Schrittmotor [1,8° High-Torque-Version]

Model AE = Single Shaft BE = Double Shaft	● Bipolar Parallel				● Bipolar Serial				● Unipolar				Torque Speed- curve
	Holding Torque [Nm]	Current/ Phase [A]	Resistance/ Phase [Ohm]	Inductance/ Phase [mH]	Holding Torque [Nm]	Current/ Phase [A]	Resistance/ Phase [Ohm]	Inductance/ Phase [mH]	Holding Torque [Nm]	Current/ Phase [A]	Resistance/ Phase [Ohm]	Inductance/ Phase [mH]	
SECM296-E4.5 (AE/BE)	3.70	6.4	0.2	1.6	3.70	3.2	0.8	6.4	2.75	4.5	0.4	1.6	(H)

Number of Leads	Weight of Motor	Size Length	Rotor Inertia
8	2.1 kg	86 x 86 x 79 mm	1600 x 10 ⁻⁷ kgm ²

Resistance / Phase (Ω) = \pm 15%, Inductance / Phase (mH) = \pm 20%



Planetengetriebe sind optional erhältlich