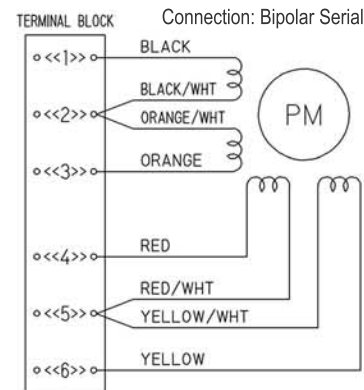
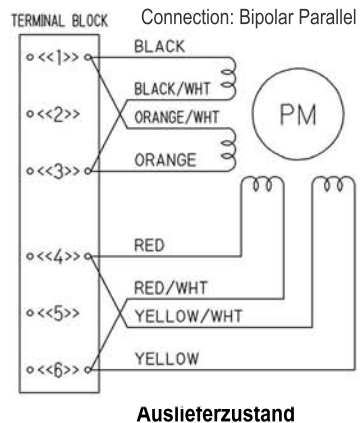
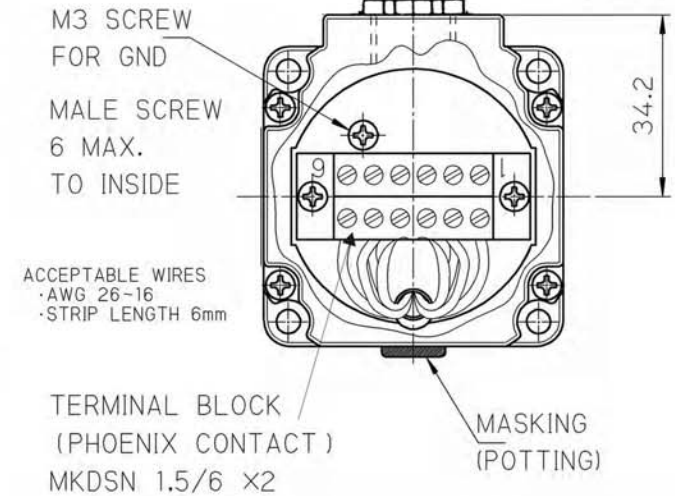
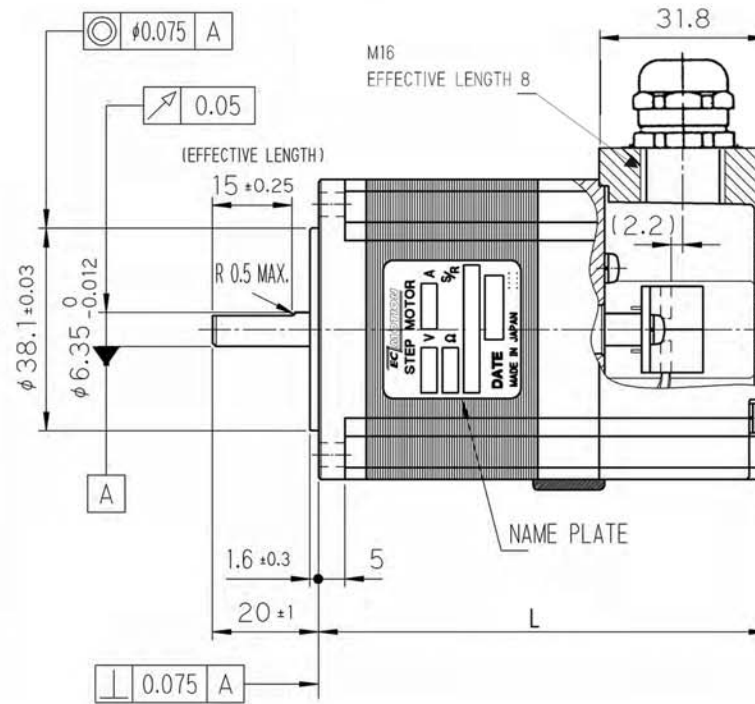
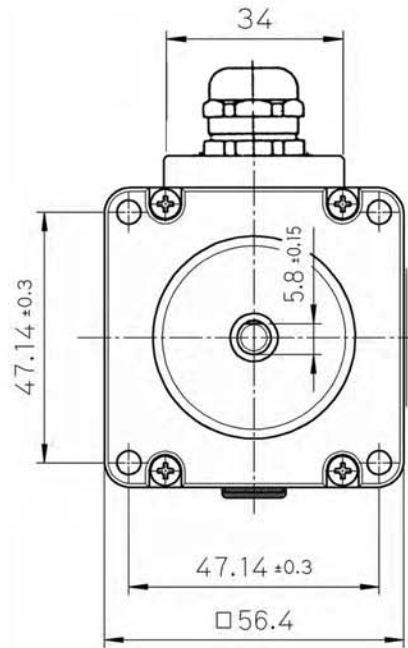
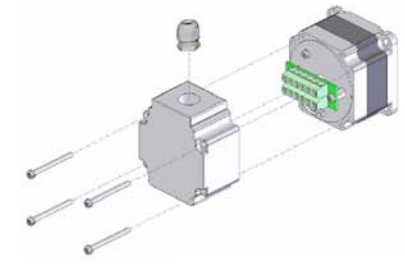


# Schrittmotor mit Anschlußkasten:



## 1.8° Vollschrittwinkel:

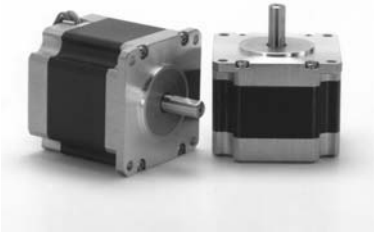
SECM264-E2.0A-T (Haltemoment = 0.50 Nm)	L = 69,5 mm
SECM264-E3.0A-T (Haltemoment = 0.50 Nm)	L = 69,5 mm
SECM266-E2.0A-T (Haltemoment = 1.17 Nm)	L = 84,5 mm
SECM266-E3.0A-T (Haltemoment = 1.17 Nm)	L = 84,5 mm
SECM268-E2.0A-T (Haltemoment = 1.75 Nm)	L = 106,5 mm
SECM268-E2.3A-T (Haltemoment = 1.75 Nm)	L = 106,5 mm
SECM268-E3.0A-T (Haltemoment = 1.75 Nm)	L = 106,5 mm



**SECM264 / SECM266 / SECM268**

Auf den Steinen 20 - 41812 Erkelenz  
Tel.: +49-2164-7014-0 - Fax: -701419  
www.ec-motion.de - info@ec-motion.de

**2-Phasen-Schrittmotor  
mit Anschlußkasten**

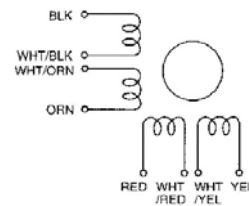
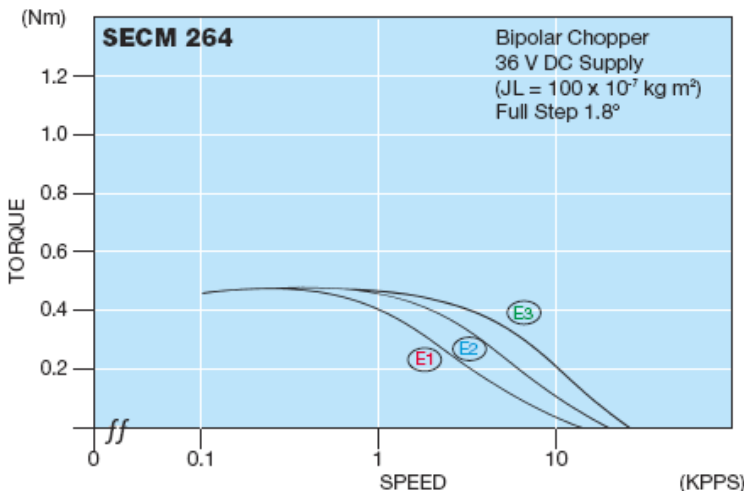
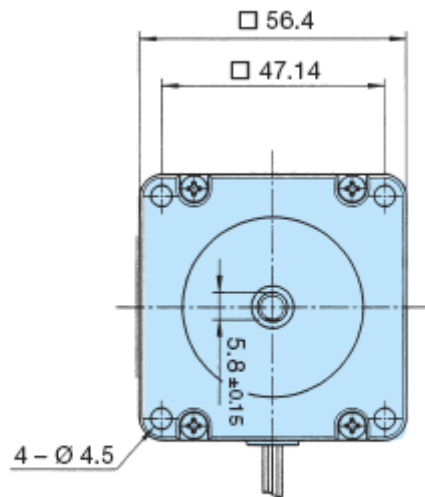
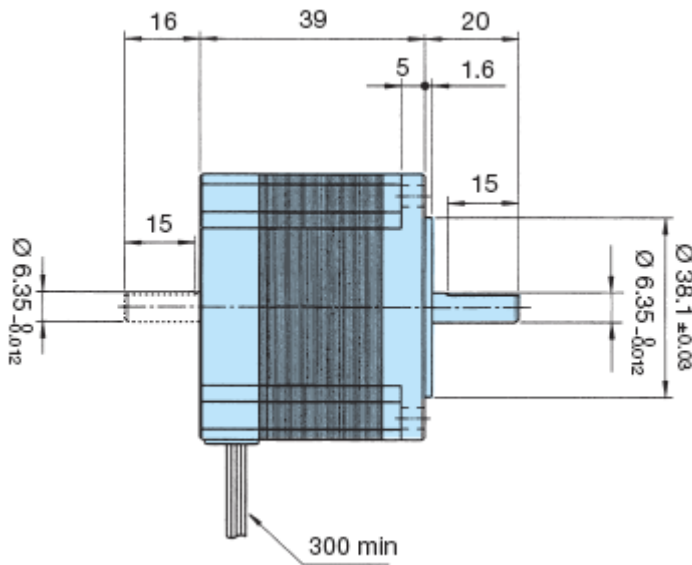


## SECM264... Serie 2-Phasen-Schrittmotor [1,8° High-Torque-Version]

Model A = Single Shaft B = Double Shaft	● Bipolar Parallel				● Bipolar Serial				● Unipolar				Torque Speed- curve
	Holding Torque [Nm]	Current/ Phase [A]	Resistance/ Phase [Ohm]	Inductance/ Phase [mH]	Holding Torque [Nm]	Current/ Phase [A]	Resistance/ Phase [Ohm]	Inductance/ Phase [mH]	Holding Torque [Nm]	Current/ Phase [A]	Resistance/ Phase [Ohm]	Inductance/ Phase [mH]	
SECM264-E1.0 (A/B)	0.50	1.4	2.6	5.4	0.50	0.7	10.4	21.6	0.39	1.0	5.2	5.4	<b>(E1)</b>
SECM264-E2.0 (A/B)	0.50	2.8	0.7	1.4	0.50	1.4	2.8	5.6	0.39	2.0	1.4	1.4	<b>(E2)</b>
SECM264-E3.0 (A/B)	0.50	4.2	0.3*	0.5	0.50	2.1	1.2*	2.0	0.39	3.0	0.6*	0.5	<b>(E2)</b>

Number of Leads	Weight of Motor	Size Length	Rotor Inertia
8	0.45 kg	56.4 x 56.4 x 39 mm	120 x 10 <sup>-7</sup> kgm <sup>2</sup>

Resistance / Phase ( $\Omega$ ) =  $\pm 10\%$ , (\*  $\pm 15\%$ ), Inductance / Phase (mH) =  $\pm 20\%$



Planetengetriebe / Encoder sind optional erhältlich