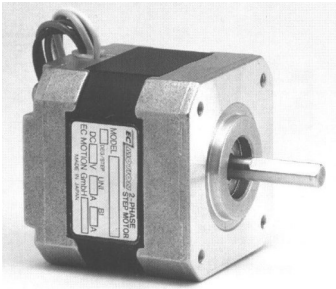


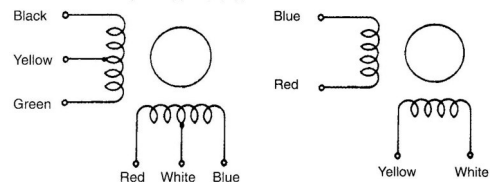
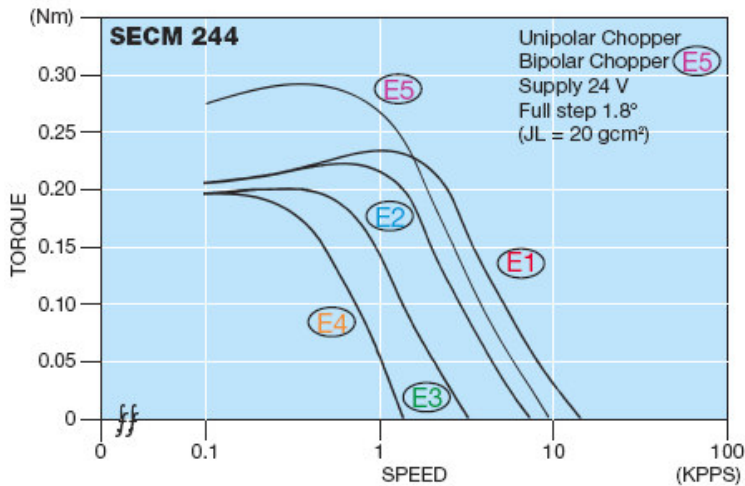
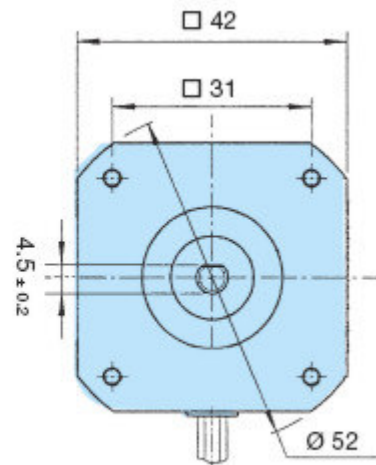
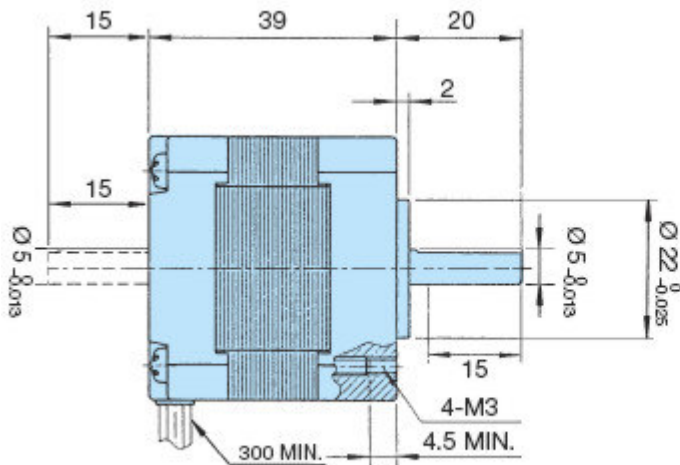
# EC MOTION



## SECM244... Series 2-Phase-Stepping Motor [1,8° High-Torque-Version]

Model A = Single Shaft B = Double Shaft	● Bipolar Seriell				● Unipolar				Speed Torque
	Holding Torque [Nm]	Current / Phase [A]	Resistance / Phase [Ohm]	Inductance / Phase [mH]	Holding Torque [Nm]	Current / Phase [A]	Resistance / Phase [Ohm]	Inductance / Phase [mH]	
SECM244-S1.2 (A/B)	0.33	0.85	6.6	14.4	0.26	1.20	3.3	3.6	E1
SECM244-S0.8 (A/B)	0.33	0.57	15.0	30.4	0.26	0.80	7.5	7.6	E2
SECM244-S0.4 (A/B)	0.33	0.28	60.0	120.0	0.26	0.40	30.0	30.0	E3
SECM244-S0.2 (A/B)	0.33	0.14	240.0	424.0	0.26	0.20	120.0	106.0	E4
SECM244-F1.1 (A/B)	0.37	1.13	3.75	7.8	—	—	—	—	E5

Number of Leads	Weight of Motor	Size Length	Rotor Inertia
S = 6 F = 4	0.25 kg	39 mm	$54 \times 10^{-7} \text{ kgm}^2$



Planetary Gears / Encoders are optionally available