

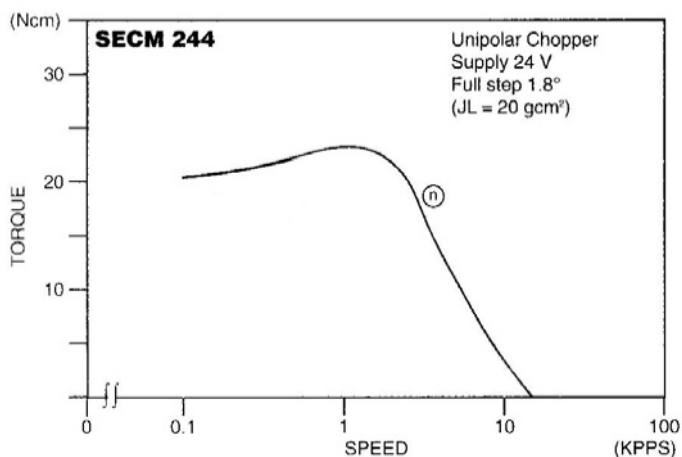
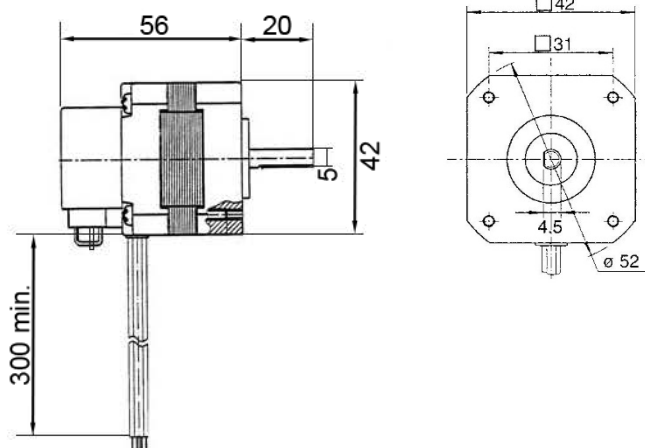


## SECM244er Baureihe

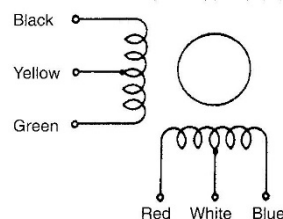
2-Phasen-Schrittmotor mit Encoder  
[1,8° High-Torque-Version]

Model	● Bipolar (Series)				● Unipolar				Speed Torque
	Holding Torque [Nm]	Current / Phase [A]	Resistance / Phase [Ohm]	Inductance / Phase [mH]	Holding Torque [Nm]	Current / Phase [A]	Resistance / Phase [Ohm]	Inductance / Phase [mH]	
SECM244-S1.2H2200	0.33	0.85	6.6	14.4	0.26	1.2	3.3	3.6	n

Number of Leads	Weight of Motor & Encoder	Size Length	Rotor Inertia
6	0.28 kg	56 mm	$54 \times 10^{-7} \text{ kgm}^2$



### Schrittmotoranschluss



Optional sind für unsere Schrittmotoren auch Planetengetriebe erhältlich.



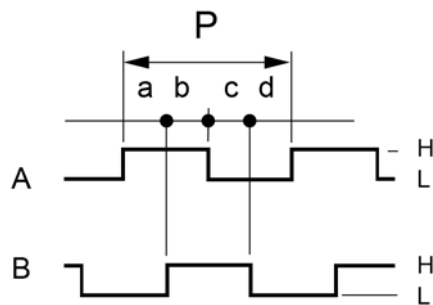
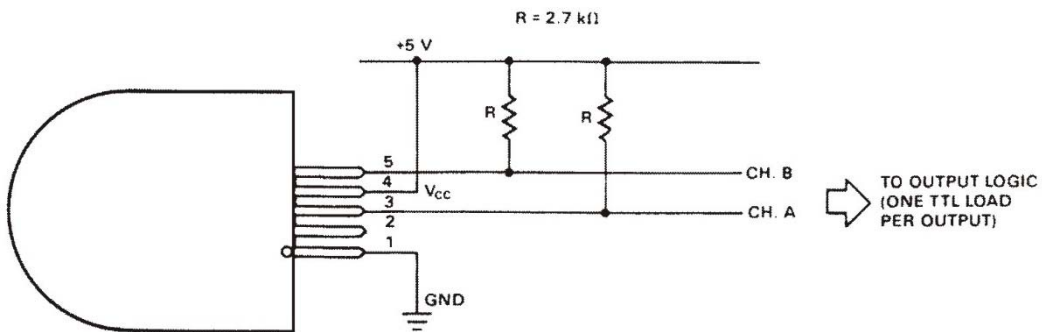
### Encoder Performance

Operating Temp.range : 0°C – 85°C  
 Supply Voltage : DC 5V ± 5% , 40mA max  
 Resolution : 200 Counts/Turn  
 Frequency Response : 100K Hz max.  
 A phase difference : 1/4 P ± 1/8 P  
 Code : Incremental A.B (2Ch.)

Output Signal : when output is high : DC 2.4V min  
 Output Signal : when output is low : DC 0.4V max  
 Sinking & Output Current : -1mA min - 5mA max  
 Rise Time : 200 nsec, Fall Time : 50 nsec  
 Moment of inertia :  $5 \times 10^{-7}$  kgm<sup>2</sup> max Encoder only  
 Output Circuit : TTL Compatible

Required plug-in contact (alternative):

- Hewlett Packard: HEDS-8902
- AMP: 103686-4 ; 640442-5
- Dupont/Berg: 65039-032 with 4825X-000
- Molex: 2695 Series with 2759 Series



CW Rotation viewed from mounting end.



EC Motion GmbH - Auf den Steinen 20 - 41812 Erkelenz  
 Tel.: +49 (0)2164-7014-0 - Fax. : +49 (0)2164-701419  
 Internet: www.ec-motion.de - e-mail: info@ec-motion.de

