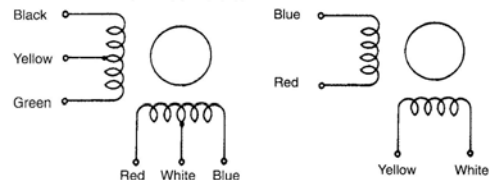
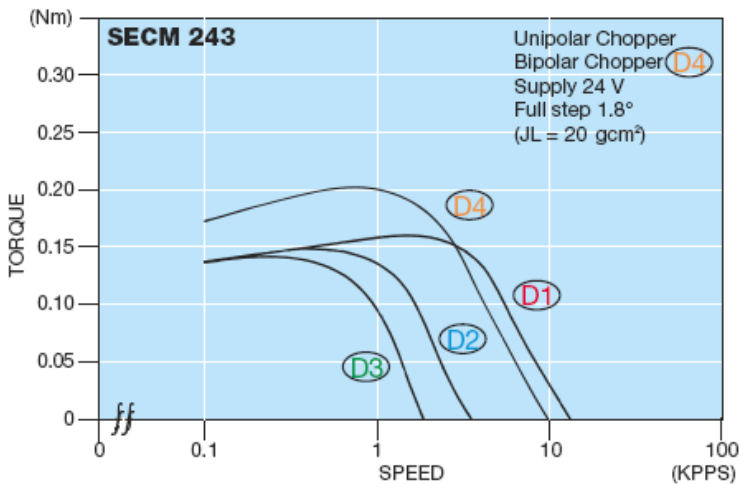
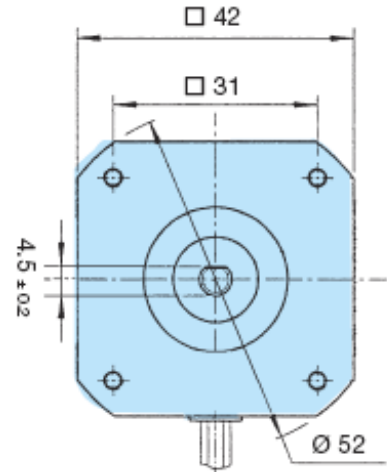
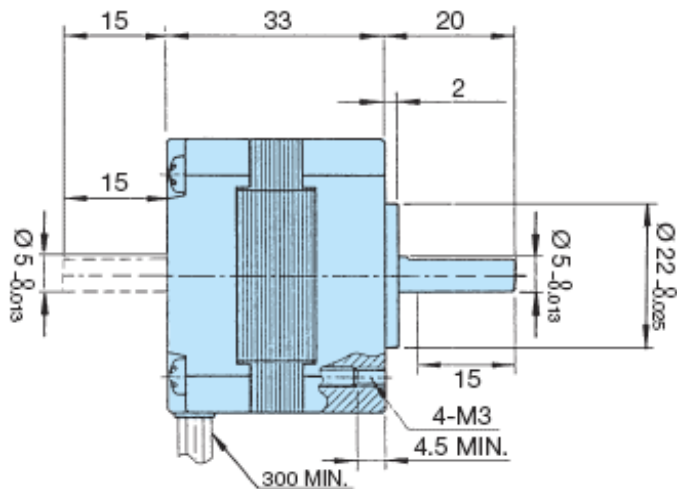


SECM243... Serie 2-Phasen-Schrittmotor [1,8° High-Torque-Version]

Model A = Single Shaft B = Double Shaft	● Bipolar Seriell				● Unipolar				Speed Torque
	Holding Torque [Nm]	Current / Phase [A]	Resistance / Phase [Ohm]	Inductance / Phase [mH]	Holding Torque [Nm]	Current / Phase [A]	Resistance / Phase [Ohm]	Inductance / Phase [mH]	
SECM243-S1.0 (A/B)	0.21	0.67	8.4	11.2	0.16	0.95	4.2	2.8	D1
SECM243-S0.4 (A/B)	0.21	0.28	48.0	60.0	0.16	0.40	24.0	15.0	D2
SECM243-S0.3 (A/B)	0.21	0.22	80	88.0	0.16	0.30	40.0	22.0	D3
SECM243-F1.3 (A/B)	0.22	1.3	2.2	3.3	—	—	—	—	D4

Number of Leads	Weight of Motor	Size Length	Rotor Inertia
S = 6 F = 4	0.2 kg	33 mm	35 x 10 ⁻⁷ kgm ²



Planetengetriebe / Encoder sind optional erhältlich