

EC MOTION

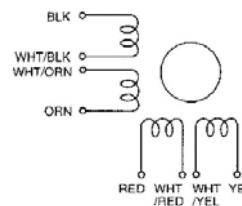
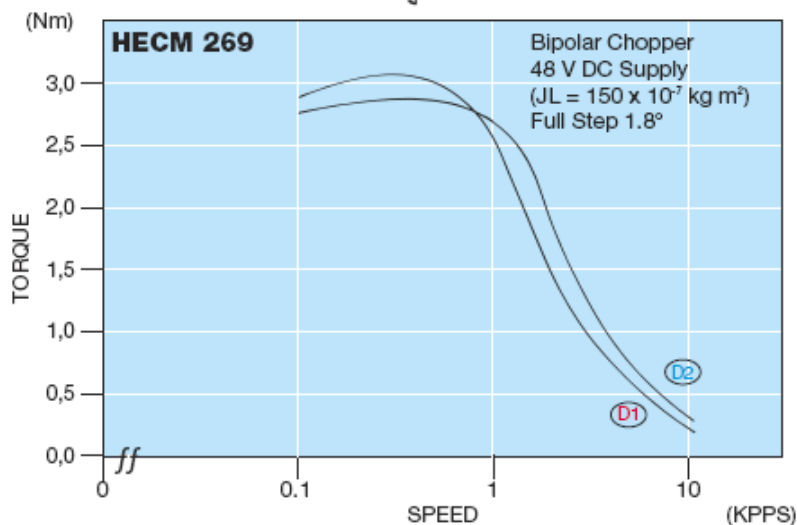
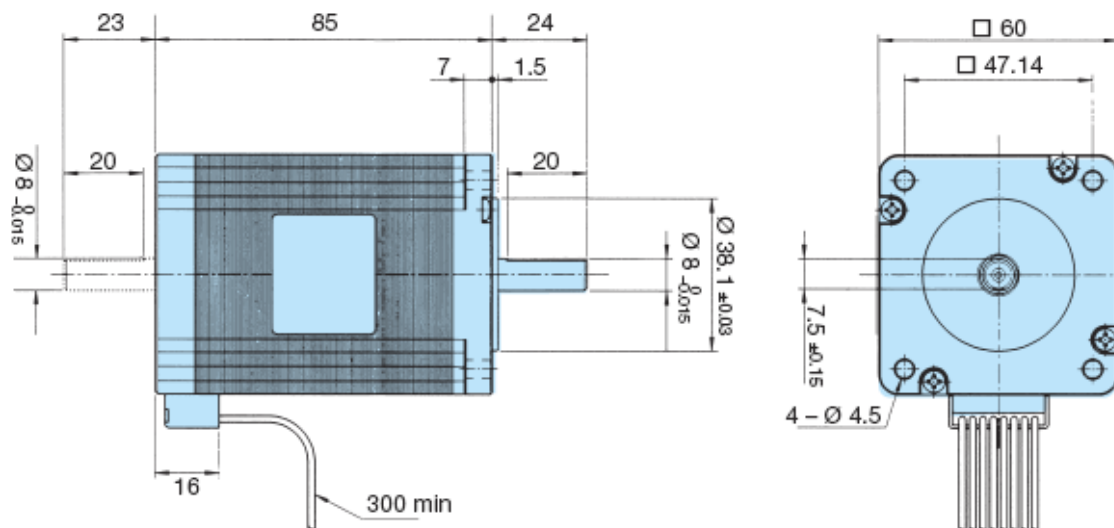


Neue Generation von Schrittmotoren HECM269... Serie 2-Phasen-Schrittmotor [1,8° High-Torque-Version]

Model A = Single Shaft B = Double Shaft	● Bipolar Parallel				● Bipolar Serial				● Unipolar				Torque Speed- curve
	Holding Torque [Nm]	Current/ Phase [A]	Resistance/ Phase [Ohm]	Inductance/ Phase [mH]	Holding Torque [Nm]	Current/ Phase [A]	Resistance/ Phase [Ohm]	Inductance/ Phase [mH]	Holding Torque [Nm]	Current/ Phase [A]	Resistance/ Phase [Ohm]	Inductance/ Phase [mH]	
HECM269-E2.4 (A/B)	3.30	3.5	1.0	5.0	3.30	1.75	4.0	20.0	2.45	2.45	2.0	5.0	D1
HECM269-E3.0 (A/B)	3.30	4.2	0.65*	3.2	3.30	2.1	2.6*	12.8	2.45	3.0	1.3*	3.2	D2

Number of Leads	Weight of Motor	Size Length	Rotor Inertia
8	1.45 kg	60 x 60 x 85 mm	900 x 10 ⁻⁷ kgm ²

Resistance / Phase (Ω) = ± 10%, (* ± 15%), Inductance / Phase (mH) = ± 20%



Planetengetriebe sind optional erhältlich



EC Motion GmbH - Auf den Steinen 20 - 41812 Erkelenz
Tel.: +49 (0)2164-7014-0 - Fax.: +49 (0)2164-701419
Internet: www.ec-motion.de - e-mail: info@ec-motion.de

