

EC MOTION

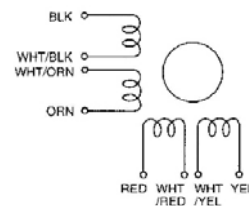
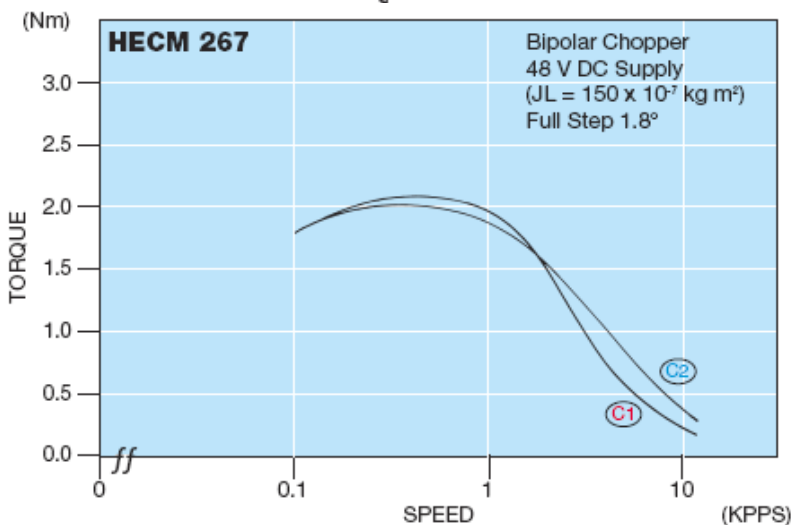
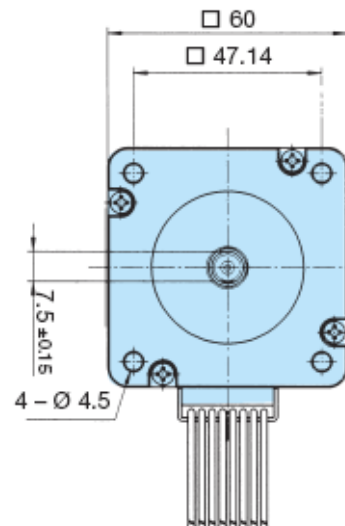
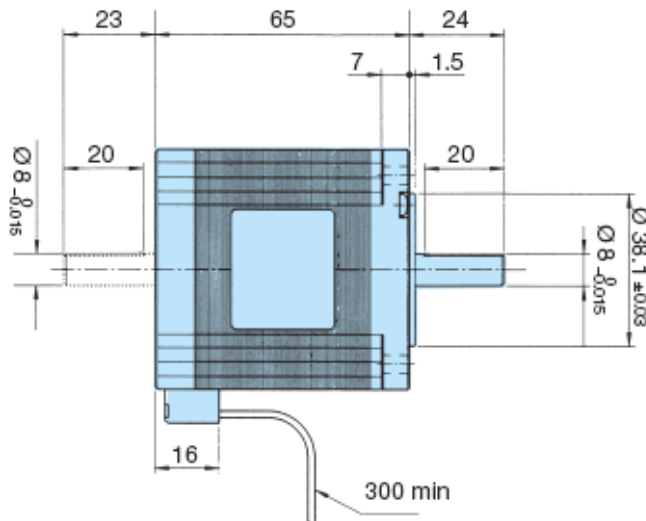


Neue Generation von Schrittmotoren HECM267... Serie 2-Phasen-Schrittmotor [1,8° High-Torque-Version]

Model A = Single Shaft B = Double Shaft	● Bipolar Parallel				● Bipolar Serial				● Unipolar				Torque Speed- curve
	Holding Torque [Nm]	Current/ Phase [A]	Resistance/ Phase [Ohm]	Inductance/ Phase [mH]	Holding Torque [Nm]	Current/ Phase [A]	Resistance/ Phase [Ohm]	Inductance/ Phase [mH]	Holding Torque [Nm]	Current/ Phase [A]	Resistance/ Phase [Ohm]	Inductance/ Phase [mH]	
HECM267-E2.4 (A/B)	2.35	3.5	0.75	3.1	2.35	1.75	3.0	12.4	1.75	2.45	1.5	3.1	C1
HECM267-E3.0 (A/B)	2.35	4.2	0.5*	2.0	2.35	2.1	2.0*	8.0	1.75	3.0	1.0*	2.0	C2

Number of Leads	Weight of Motor	Size Length	Rotor Inertia
8	1.1 kg	60 x 60 x 65 mm	570 x 10 ⁻⁷ kgm ²

Resistance / Phase (Ω) = ± 10%, (* ± 15%), Inductance / Phase (mH) = ± 20%



Planetengetriebe sind optional erhältlich



EC Motion GmbH - Auf den Steinen 20 - 41812 Erkelenz
Tel.: +49 (0)2164-7014-0 - Fax.: +49 (0)2164-701419
Internet: www.ec-motion.de - e-mail: info@ec-motion.de

