

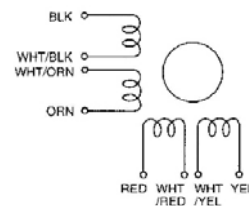
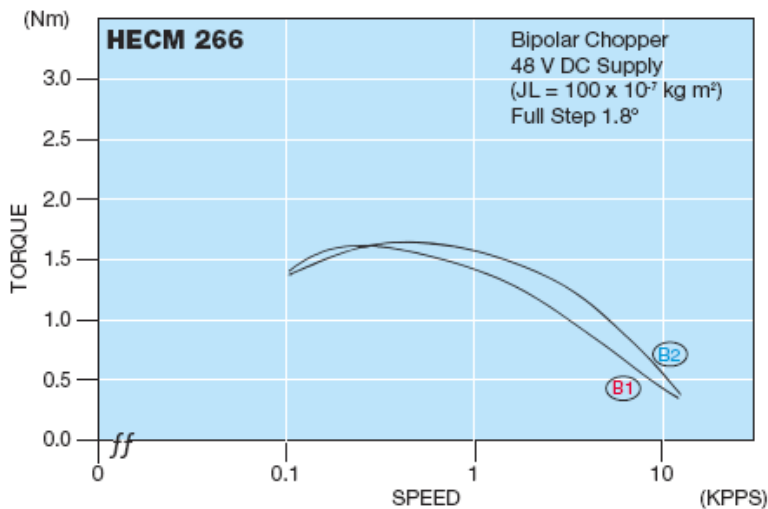
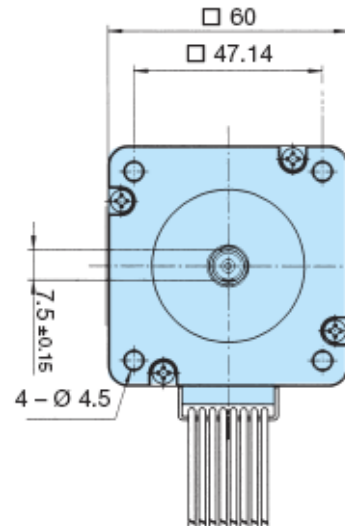
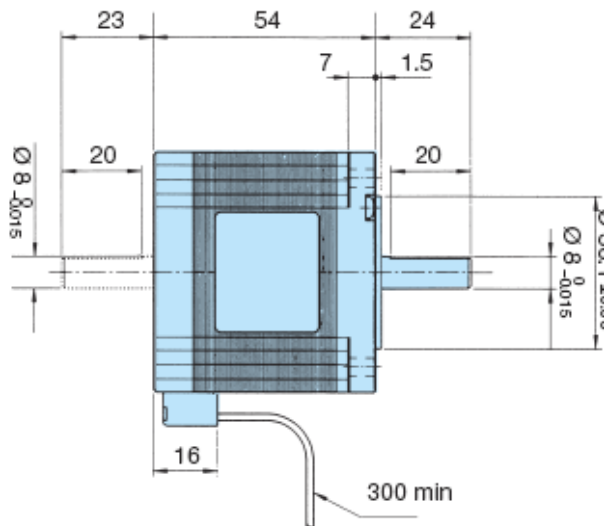


Neue Generation von Schrittmotoren HECM266... Serie 2-Phasen-Schrittmotor [1,8° High-Torque-Version]

Model A = Single Shaft B = Double Shaft	● Bipolar Parallel				● Bipolar Serial				● Unipolar				Torque Speed- curve
	Holding Torque [Nm]	Current/ Phase [A]	Resistance/ Phase [Ohm]	Inductance/ Phase [mH]	Holding Torque [Nm]	Current/ Phase [A]	Resistance/ Phase [Ohm]	Inductance/ Phase [mH]	Holding Torque [Nm]	Current/ Phase [A]	Resistance/ Phase [Ohm]	Inductance/ Phase [mH]	
HECM266-E2.0 (A/B)	1.82	2.8	1.0	3.8	1.82	1.4	4.0	15.2	1.35	2.0	2.0	3.8	(B1)
HECM266-E3.0 (A/B)	1.82	4.2	0.43*	1.6	1.82	2.1	1.7*	6.4	1.35	3.0	0.85*	1.6	(B2)

Number of Leads	Weight of Motor	Size Length	Rotor Inertia
8	0.85 kg	60 x 60 x 54 mm	450 x 10 ⁻⁷ kgm ²

Resistance / Phase (Ω) = ± 10%, (* ± 15%), Inductance / Phase (mH) = ± 20%



Planetengetriebe sind optional erhältlich