

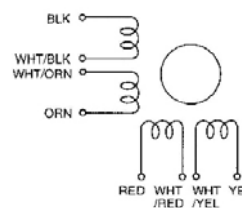
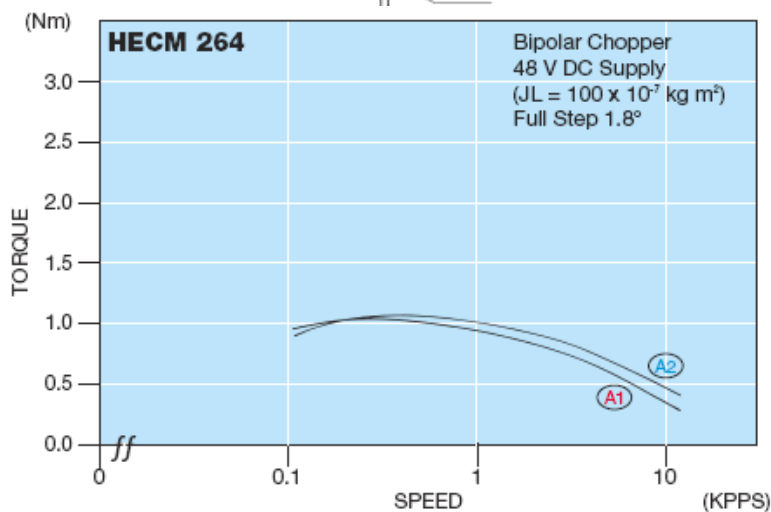
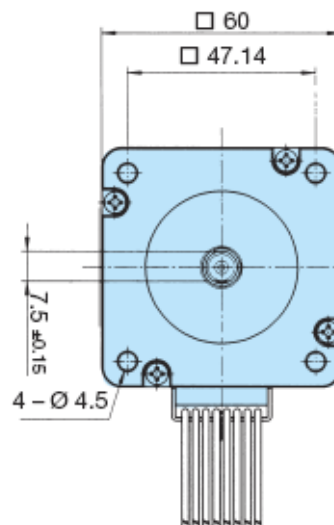
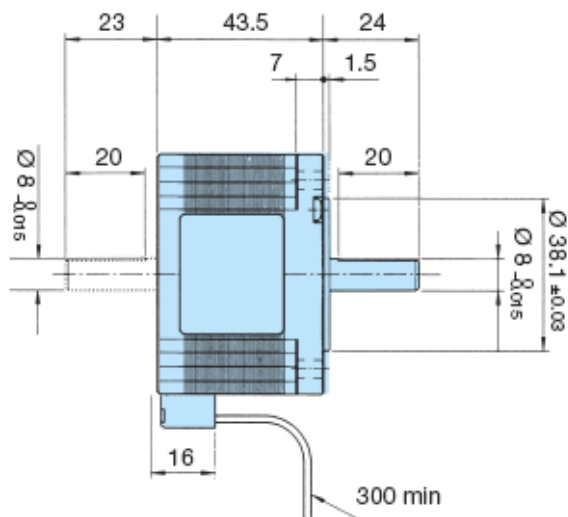


Neue Generation von Schrittmotoren HECM264... Serie 2-Phasen-Schrittmotor [1,8° High-Torque-Version]

Model A = Single Shaft B = Double Shaft	● Bipolar Parallel				● Bipolar Serial				● Unipolar				Torque Speed- curve
	Holding Torque [Nm]	Current/ Phase [A]	Resistance/ Phase [Ohm]	Inductance/ Phase [mH]	Holding Torque [Nm]	Current/ Phase [A]	Resistance/ Phase [Ohm]	Inductance/ Phase [mH]	Holding Torque [Nm]	Current/ Phase [A]	Resistance/ Phase [Ohm]	Inductance/ Phase [mH]	
HECM264-E2.0 (A/B)	1.15	2.8	0.73	2.1	1.15	1.4	2.9	8.4	0.85	2.0	1.45	2.1	A1
HECM264-E3.0 (A/B)	1.15	4.2	0.33*	1.0	1.15	2.1	1.3*	4.0	0.85	3.0	0.65*	1.0	A2

Number of Leads	Weight of Motor	Size Length	Rotor Inertia
8	0.6 kg	60 x 60 x 43,5 mm	280 x 10 ⁻⁷ kgm ²

Resistance / Phase (Ω) = ± 10%, (* ± 15%), Inductance / Phase (mH) = ± 20%



Planetengetriebe sind optional erhältlich