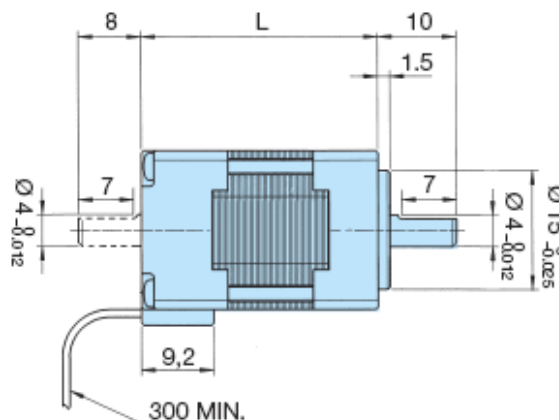


Neue Generation von Schrittmotoren HECM213/215... Serie 2-Phasen-Schrittmotor [1,8° High-Torque-Version]

Model A = Single Shaft B = Double Shaft	● Bipolar Seriell				● Unipolar				Speed Torque
	Holding Torque [Nm]	Current / Phase [A]	Resistance / Phase [Ohm]	Inductance / Phase [mH]	Holding Torque [Nm]	Current / Phase [A]	Resistance / Phase [Ohm]	Inductance / Phase [mH]	
HECM213-F0.5 (A/B)	0.017	0.50	4.3	1.8	—	—	—	—	A1
HECM213-F0.4 (A/B)	0.017	0.35	8.5	3.4	—	—	—	—	A2
HECM215-F0.5 (A/B)	0.032	0.50	9.6	4.3	—	—	—	—	A3
HECM215-F0.4 (A/B)	0.032	0.35	16.0	7.0	—	—	—	—	A4

Number of Leads	Weight of Motor		Size Length		Rotor Inertia	
	HECM213	HECM215	HECM213	HECM215	HECM213	HECM215
4	0.05 kg	0.08 kg	30 mm	46.5 mm	$1.9 \times 10^{-7} \text{ kgm}^2$	$4 \times 10^{-7} \text{ kgm}^2$



HECM 213 L = 30.0 mm
HECM 215 L = 46.5 mm

