

EC MOTION

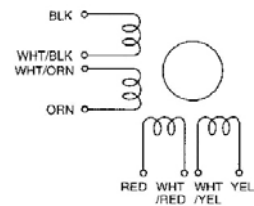
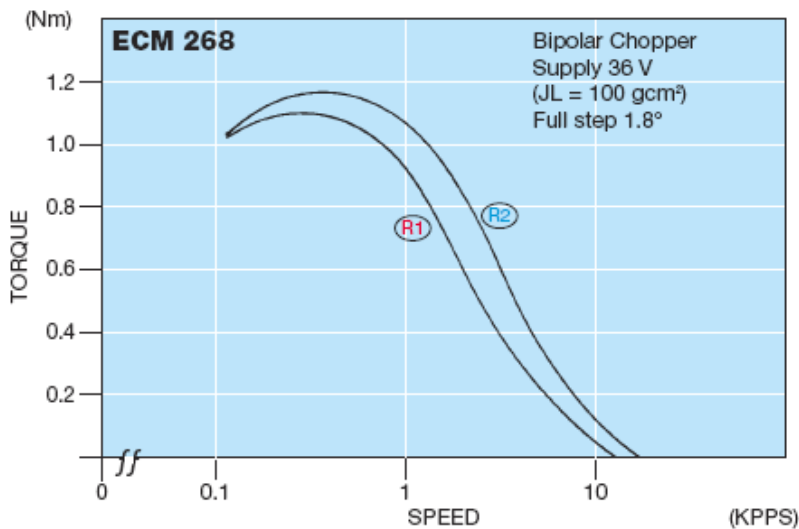
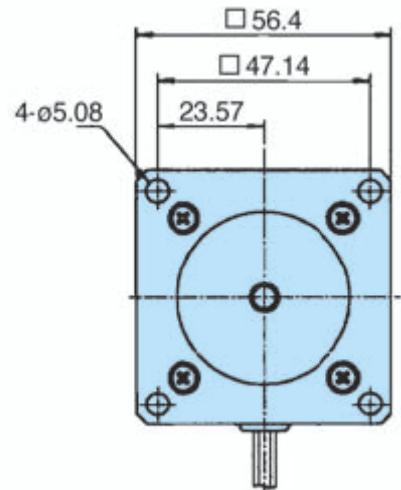
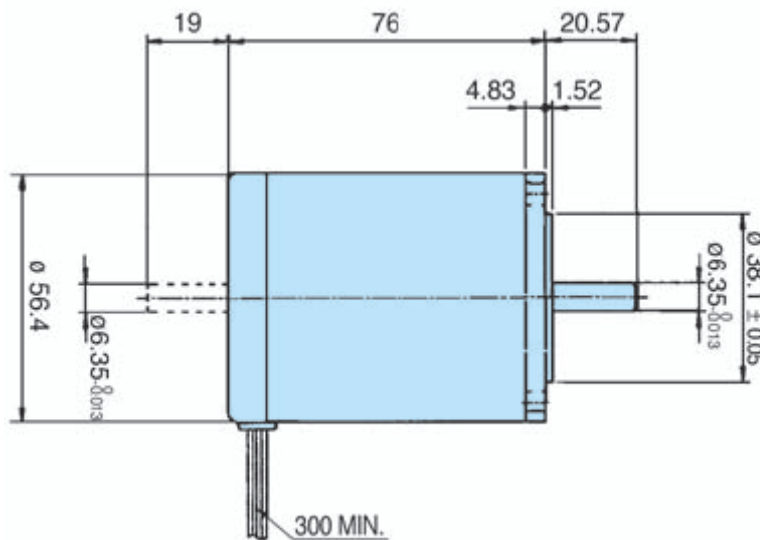


ECM268... Serie 2-Phasen-Schrittmotor [1,8° Standard-Torque-Version]

Model A = Single Shaft B = Double Shaft	● Bipolar Parallel				● Bipolar Serial				● Unipolar				Torque Speed-curve
	Holding Torque [Nm]	Current/Phase [A]	Resistance/Phase [Ohm]	Inductance/Phase [mH]	Holding Torque [Nm]	Current/Phase [A]	Resistance/Phase [Ohm]	Inductance/Phase [mH]	Holding Torque [Nm]	Current/Phase [A]	Resistance/Phase [Ohm]	Inductance/Phase [mH]	
ECM268-E1.6 (A/B)	1.25	2.3	1.6	5.5	1.25	1.15	6.4	22.0	0.95	1.6	3.2	5.5	R1
ECM268-E2.3 (A/B)	1.25	3.3	0.85	3.5	1.25	1.65	3.4	14.0	0.95	2.3	1.7	3.5	R2

Number of Leads	Weight of Motor	Size Length	Rotor Inertia
8	1.0 kg	56.4 x 56.4 x 76 mm	234 x 10 ⁻⁷ kgm ²

Resistance / Phase (Ω) = ± 10%, Inductance / Phase (mH) = ± 20%



Planetengetriebe sind optional erhältlich



EC Motion GmbH - Auf den Steinen 20 - 41812 Erkelenz
Tel.: +49 (0)2164-7014-0 - Fax.: +49 (0)2164-701419
Internet: www.ec-motion.de - e-mail: info@ec-motion.de

