

EC/MOTION

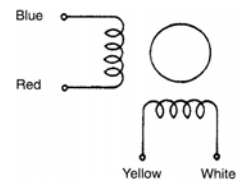
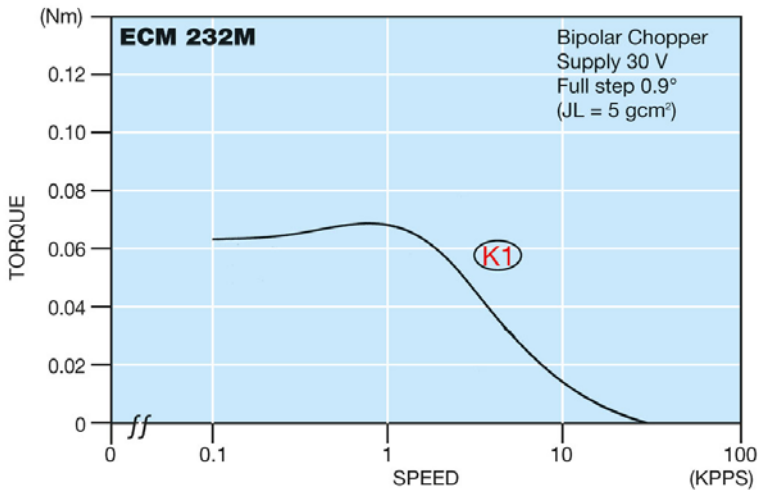
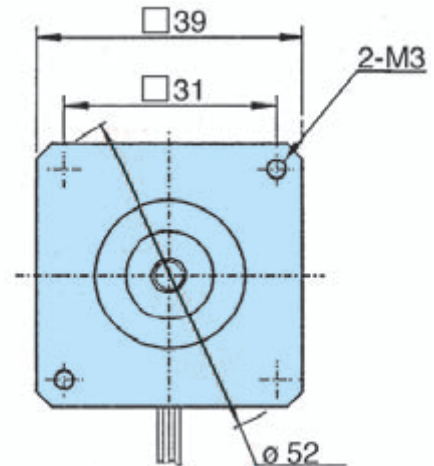
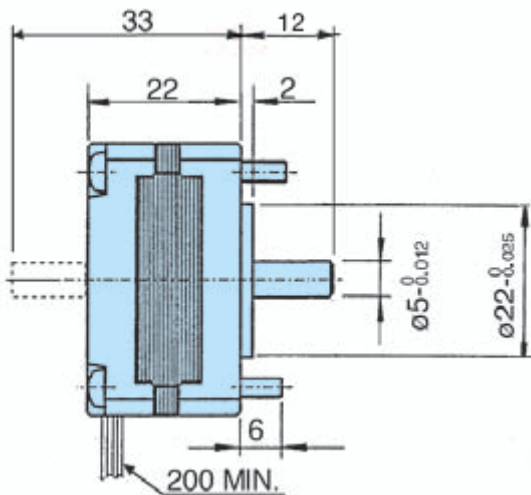


ECM232M... Serie 2-Phasen-Schrittmotor [0,9° Standard-Torque-Version]

Model A = Single Shaft B = Double Shaft	● Bipolar Seriell				● Unipolar				Speed Torque K1
	Holding Torque [Nm]	Current / Phase [A]	Resistance / Phase [Ohm]	Inductance / Phase [mH]	Holding Torque [Nm]	Current / Phase [A]	Resistance / Phase [Ohm]	Inductance / Phase [mH]	
ECM232M-F0.3 (A/B)	0.05	0.32	38.0	19.0	—	—	—	—	K1

ECM232M-F0.3A ist identisch mit ECM232M-F0.3A-1

Number of Leads	Weight of Motor	Size Length	Rotor Inertia
4	0.12 kg	22 mm	$10 \times 10^{-7} \text{ kgm}^2$



EC Motion GmbH - Auf den Steinen 20 - 41812 Erkelenz
Tel.: +49 (0)2164-7014-0 - Fax. : +49 (0)2164-701419
Internet: www.ec-motion.de - e-mail: info@ec-motion.de

