



## □42 HECM24... Line Driver



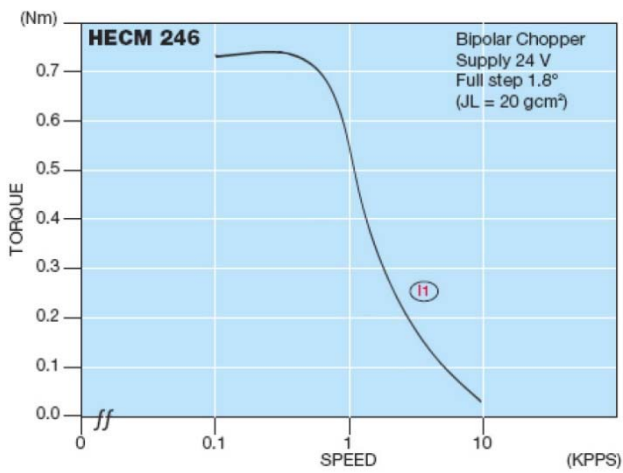
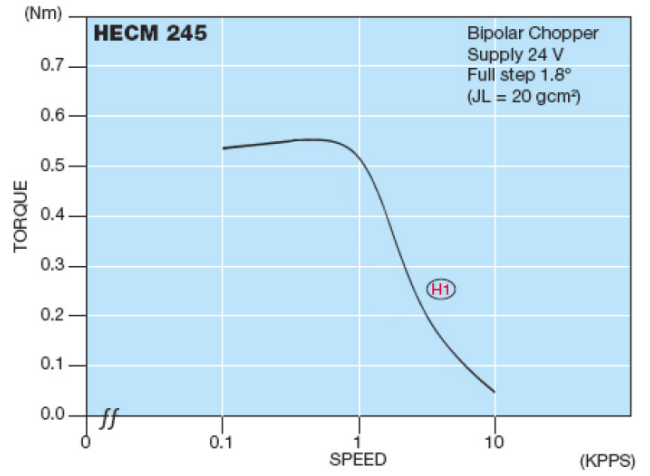
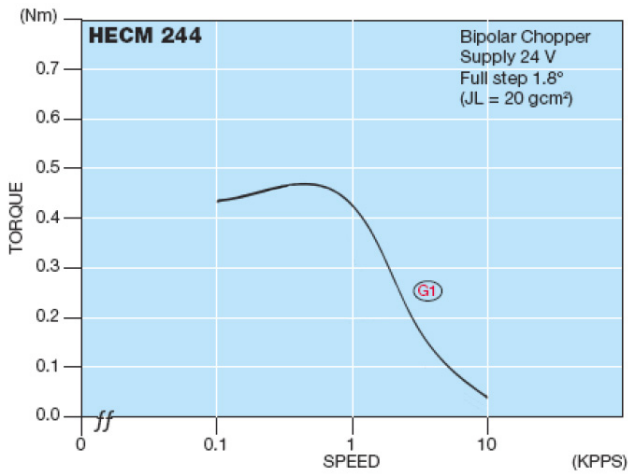
## STEPPING MOTORS

2-Phase Step Motor | Flange 42mm | 0.5 - 0.93 Nm  
with Encoder

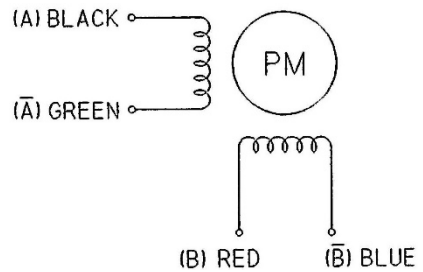
## SCHRITTMOTOREN

2-Phasen Schrittmotoren | Flansch 42mm | 0,5 - 0,93 Nm  
mit Encoder





## Schrittmotoranschluss

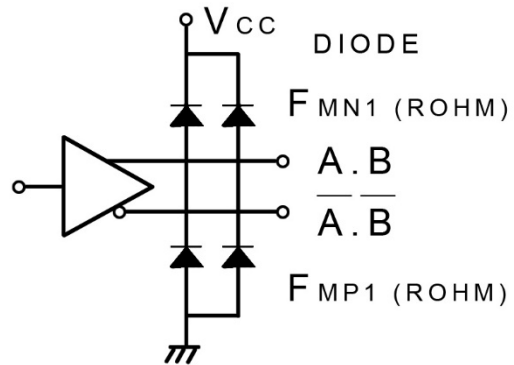
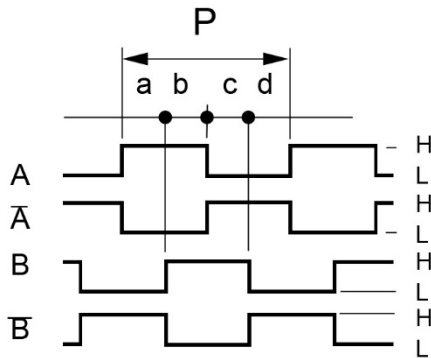




## Encoder Performance

Operating Temp.range : 0°C – 85°C  
 Supply : DC 5V ± 5% , 100mA max  
 Resolution : 200 Counts / Turn  
 Frequency Response : 100K Hz max.  
 A phase difference : 1/4 P ± 1/8 P  
 Code : Incremental A.B (2Ch.)

Output Signal : when output is high : DC 2.4V min  
 Output Signal : when output is low : DC 0.4V max  
 Sinking & Output Current : typical ± 20mA max  
 Rise & Fall Times : 1 µsec max  
 Moment of inertia : 5 g·cm<sup>2</sup> max Encoder only  
 Output Circuit : Line Driver AM26C31IDB



CW Rotation viewed from mounting end. Encoder signal A and B position is “H” at Motor 2Phase on.

### Color of Leadwires and Funktion :

DC 5V = red	A phase = brown	Ā phase = orange
GND = blue	B phase = yellow	B̄ phase = gray

(Old-Version)

A phase = brown	Ā phase = orange
B phase = yellow	B̄ phase = white
DC 5V = red	GND = black



EC Motion GmbH - Auf den Steinen 20 - 41812 Erkelenz  
 Tel.: +49 (0)2164-7014-0 - Fax. : +49 (0)2164-701419  
 Internet: www.ec-motion.de - e-mail: info@ec-motion.de

