



□56.4



STEPPING MOTORS

2-Phase Step Motor | Flange 56.4mm | 0.5 - 1.75 Nm
with Encoder

SCHRITTMOTOREN

2-Phasen Schrittmotoren | Flansch 56.4mm | 0,5 - 1,75 Nm
mit Encoder

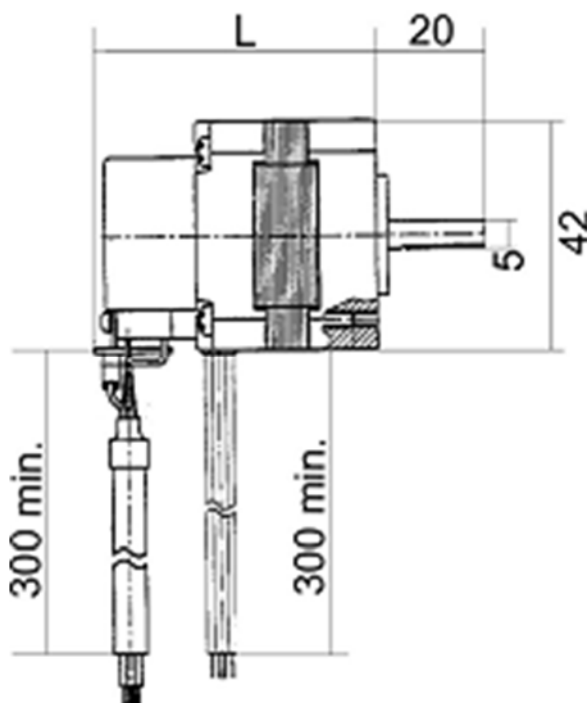


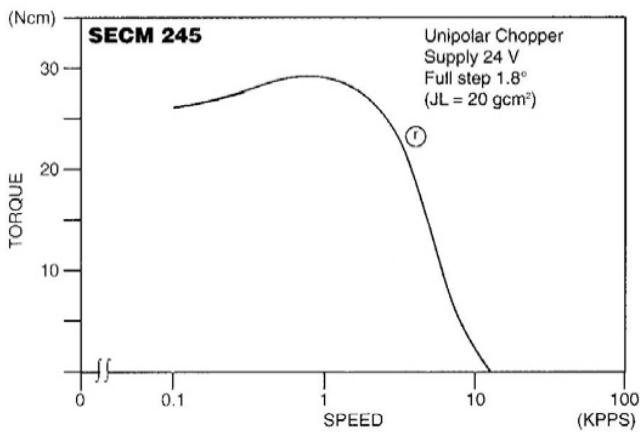
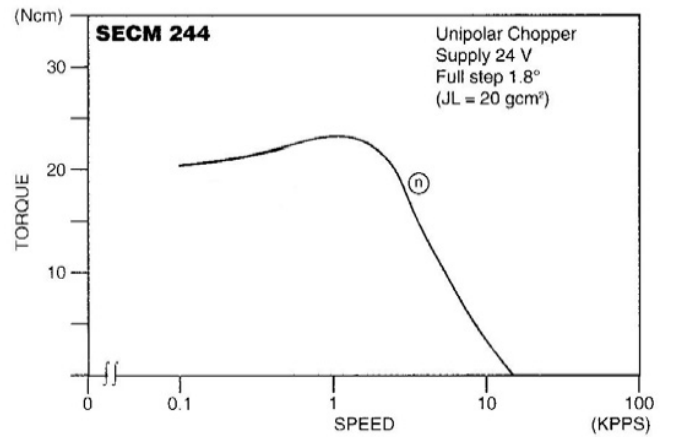
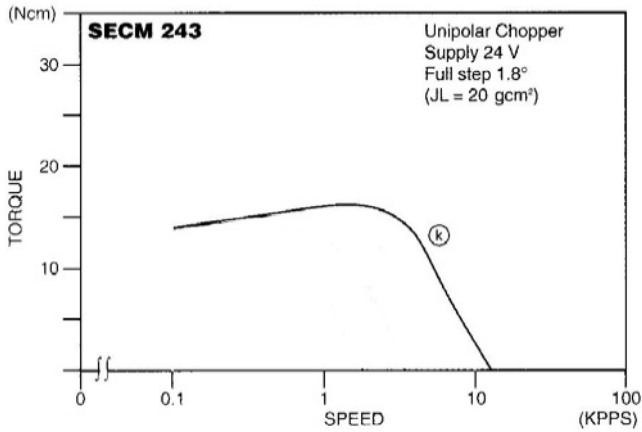
SECM24... Baureihe

2-Phasen-Schrittmotor mit Encoder
[1,8° High-Torque-Version]

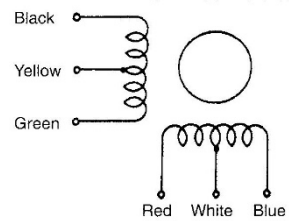
Model H = TTL Output 200 Pulse/Umd.	● Bipolar (Series)				● Unipolar				Speed Torque
	Holding Torque [Nm]	Current / Phase [A]	Resistance / Phase [Ohm]	Inductance / Phase [mH]	Holding Torque [Nm]	Current / Phase [A]	Resistance / Phase [Ohm]	Inductance / Phase [mH]	
SECM243-S1.0P2200	0.21	0.67	8.4	11.2	0.16	0.95	4.2	2.8	k
SECM244-S1.2P2200	0.33	0.85	6.6	14.4	0.26	1.2	3.3	3.6	n
SECM245-S1.2P2200	0.41	0.85	6.6	12	0.32	1.2	3.3	3	r

Model	Number of Leads	Weight of Motor & Encoder	Size Length	Rotor Inertia
SECM243	6	0.23 kg	52 mm	$35 \times 10^{-7} \text{ kgm}^2$
SECM244	6	0.30 kg	58 mm	$54 \times 10^{-7} \text{ kgm}^2$
SECM245	6	0.36 kg	66 mm	$68 \times 10^{-7} \text{ kgm}^2$





Schrittmotoranschluss



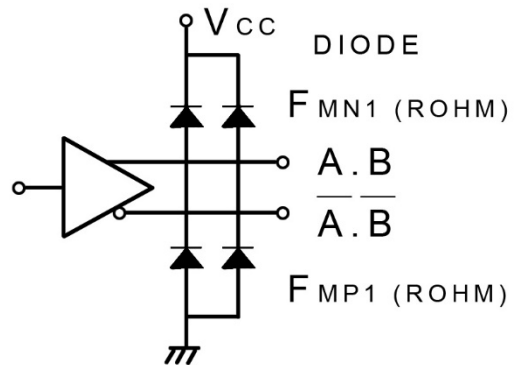
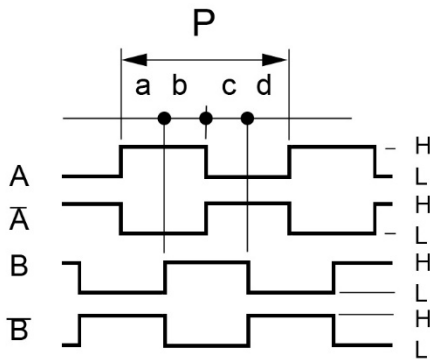
Optional sind für unsere Schrittmotoren auch Planetengetriebe erhältlich.



Encoder Performance

Operating Temp.range : 0°C – 85°C
 Supply : DC 5V ± 5% , 100mA max
 Resolution : 200 Counts / Turn
 Frequency Response : 100K Hz max.
 A phase difference : 1/4 P ± 1/8 P
 Code : Incremental A.B (2Ch.)

Output Signal : when output is high : DC 2.4V min
 Output Signal : when output is low : DC 0.4V max
 Sinking & Output Current : typical ± 20mA max
 Rise & Fall Times : 1 µsec max
 Moment of inertia : 5 g-cm² max Encoder only
 Output Circuit : Line Driver AM26C31IDB



CW Rotation viewed from mounting end. Encoder signal A and B position is "H" at Motor 2Phase on.

Color of Leadwires and Funktion :

DC 5V = red A phase = brown A-bar phase = orange
 GND = blue B phase = yellow B-bar phase = gray

(Old-Version)

A phase = brown A-bar phase = orange
 B phase = yellow B-bar phase = white
 DC 5V = red GND = black



EC Motion GmbH - Auf den Steinen 20 - 41812 Erkelenz
 Tel.: +49 (0)2164-7014-0 - Fax. : +49 (0)2164-701419
 Internet: www.ec-motion.de - e-mail: info@ec-motion.de

