



STEPPING MOTORS

2-Phase Hybrid Type | 3.7 - 10.2 Nm
1.8° Full Step Angle

SCHRITTMOTOREN

2-Phasen Hybrid-Schrittmotoren | 3,7 - 10,2 Nm
1,8° Vollschrittwinkel

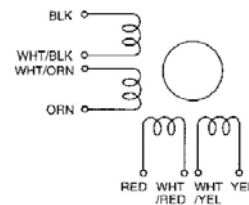
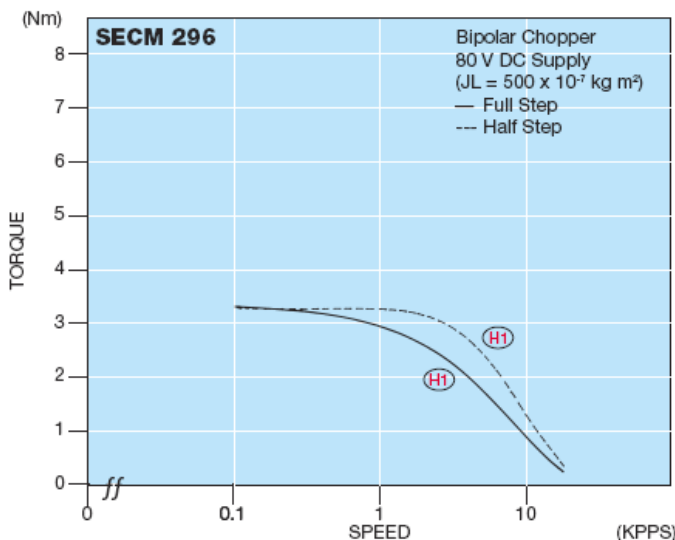
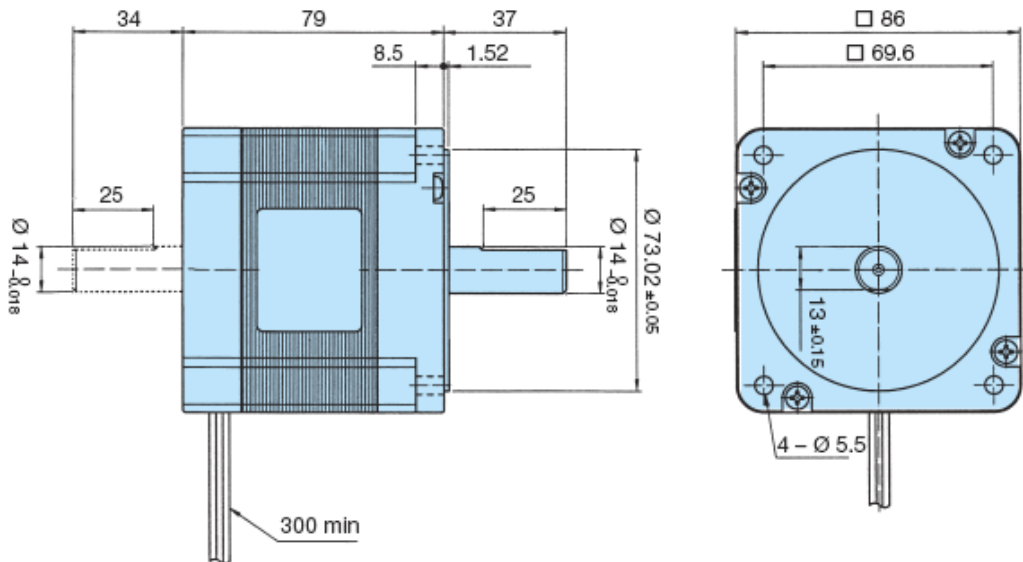


SECM296... Serie 2-Phasen-Schrittmotor [1,8° High-Torque-Version]

Model AE = Single Shaft BE = Double Shaft	● Bipolar Parallel				● Bipolar Serial				● Unipolar				Torque Speed- curve
	Holding Torque [Nm]	Current/ Phase [A]	Resistance/ Phase [Ohm]	Inductance/ Phase [mH]	Holding Torque [Nm]	Current/ Phase [A]	Resistance/ Phase [Ohm]	Inductance/ Phase [mH]	Holding Torque [Nm]	Current/ Phase [A]	Resistance/ Phase [Ohm]	Inductance/ Phase [mH]	
SECM296-E4.5 (AE/BE)	3.70	6.4	0.2	1.6	3.70	3.2	0.8	6.4	2.75	4.5	0.4	1.6	(H)

Number of Leads	Weight of Motor	Size Length	Rotor Inertia
8	2.1 kg	86 x 86 x 79 mm	1600 x 10 ⁻⁷ kgm ²

Resistance / Phase (Ω) = ± 15%, Inductance / Phase (mH) = ± 20%



Planetengetriebe sind optional erhältlich

EC MOTION

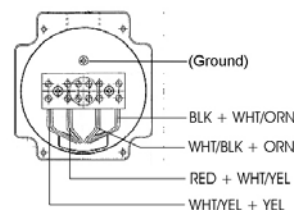
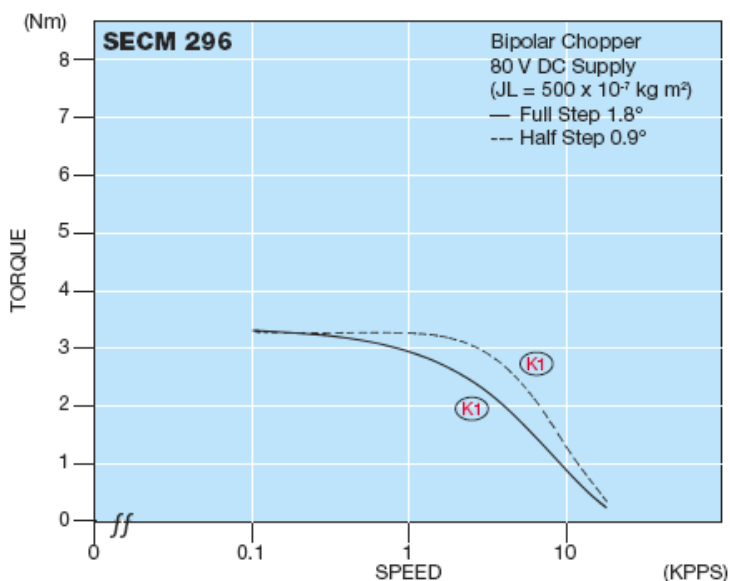
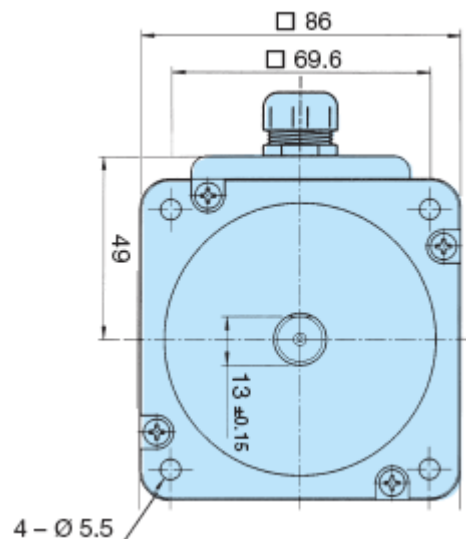
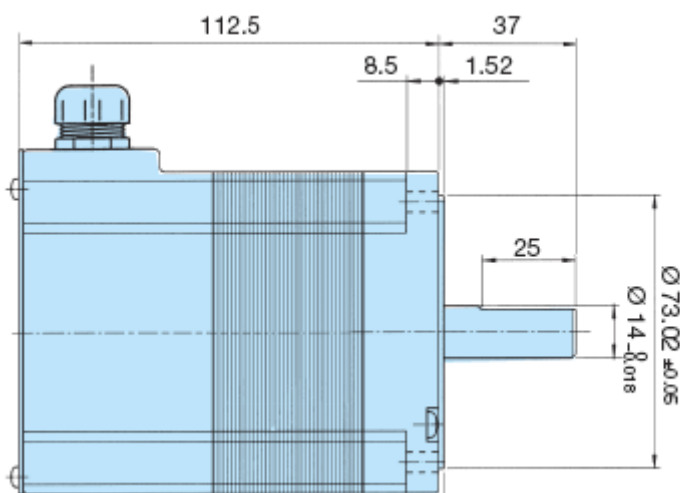


SECM296...T Serie 2-Phasen-Schrittmotor/Anschlußkasten [1,8° High-Torque-Version]

Model AE = Single Shaft T = Terminal Box	● Bipolar Parallel				● Bipolar Serial				● Unipolar				Torque Speed-curve
	Holding Torque [Nm]	Current/Phase [A]	Resistance/Phase [Ohm]	Inductance/Phase [mH]	Holding Torque [Nm]	Current/Phase [A]	Resistance/Phase [Ohm]	Inductance/Phase [mH]	Holding Torque [Nm]	Current/Phase [A]	Resistance/Phase [Ohm]	Inductance/Phase [mH]	
SECM296-E4.5AE-T	3.70	6.4	0.2	1.6	3.70	3.2	0.8	6.4	2.75	4.5	0.4	1.6	(K1)

Number of Leads (Terminal Box)	Weight of Motor	Size Length	Rotor Inertia
8	2.5 kg	86 x 86 x 112.5 mm	1600 x 10 ⁻⁷ kgm ²

Resistance / Phase (Ω) = ± 15%, Inductance / Phase (mH) = ± 20%



Planetengetriebe sind optional erhältlich



EC Motion GmbH - Auf den Steinen 20 - 41812 Erkelenz
Tel.: +49 (0)2164-7014-0 - Fax.: +49 (0)2164-701419
Internet: www.ec-motion.de - e-mail: info@ec-motion.de



EC MOTION

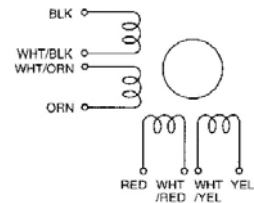
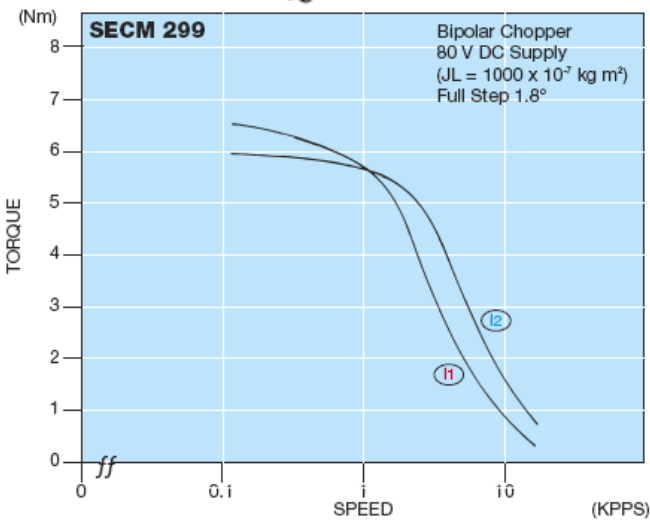
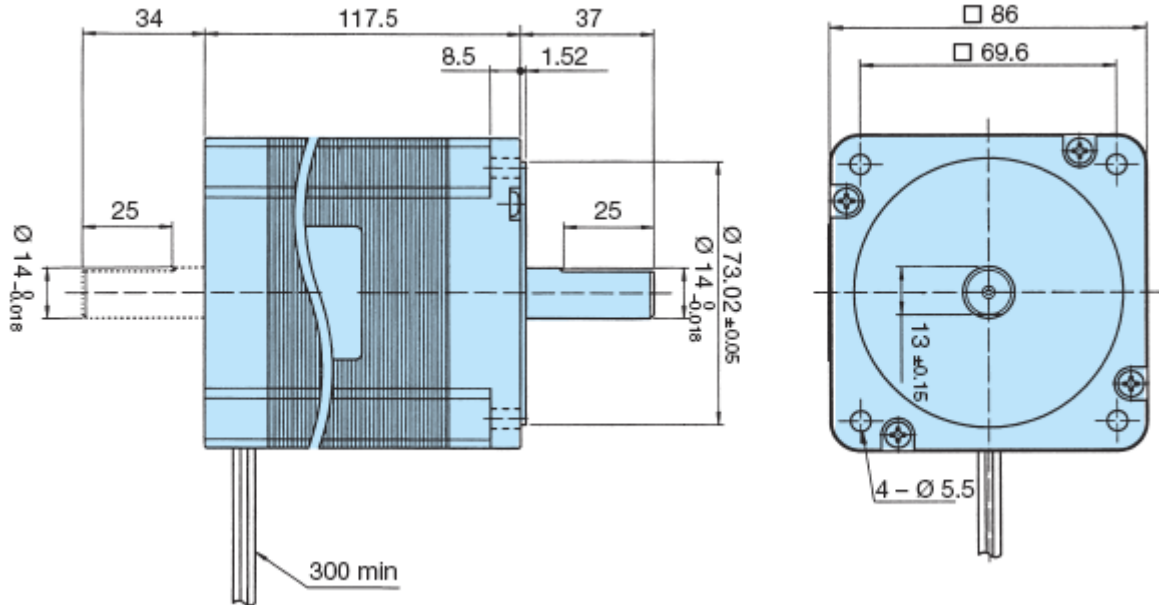


SECM299... Serie 2-Phasen-Schrittmotor [1,8° High-Torque-Version]

Model AE = Single Shaft BE = Double Shaft	● Bipolar Parallel				● Bipolar Serial				● Unipolar				Torque Speed- curve
	Holding Torque [Nm]	Current/ Phase [A]	Resistance/ Phase [Ohm]	Inductance/ Phase [mH]	Holding Torque [Nm]	Current/ Phase [A]	Resistance/ Phase [Ohm]	Inductance/ Phase [mH]	Holding Torque [Nm]	Current/ Phase [A]	Resistance/ Phase [Ohm]	Inductance/ Phase [mH]	
SECM299-E4.5 (AE/BE)	7.30	6.4	0.3	3.1	7.30	3.2	1.2	12.4	5.40	4.5	0.6	3.1	(11)
SECM299-E6.4 (AE/BE)	6.90	9.0	0.16*	1.1	6.90	4.5	0.64*	4.4	5.00	6.4	0.32*	1.1	(12)

Number of Leads	Weight of Motor	Size Length	Rotor Inertia
8	3.5 kg	86 x 86 x 117.5 mm	3200 x 10 ⁻⁷ kgm ²

Resistance / Phase (Ω) = ± 15%, (* ± 20%), Inductance / Phase (mH) = ± 20%



Planetengetriebe sind optional erhältlich



EC Motion GmbH - Auf den Steinen 20 - 41812 Erkelenz
Tel.: +49 (0)2164-7014-0 - Fax. : +49 (0)2164-701419
Internet: www.ec-motion.de - e-mail: info@ec-motion.de





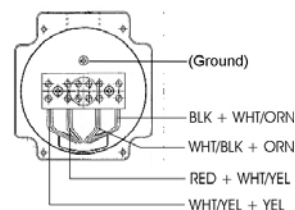
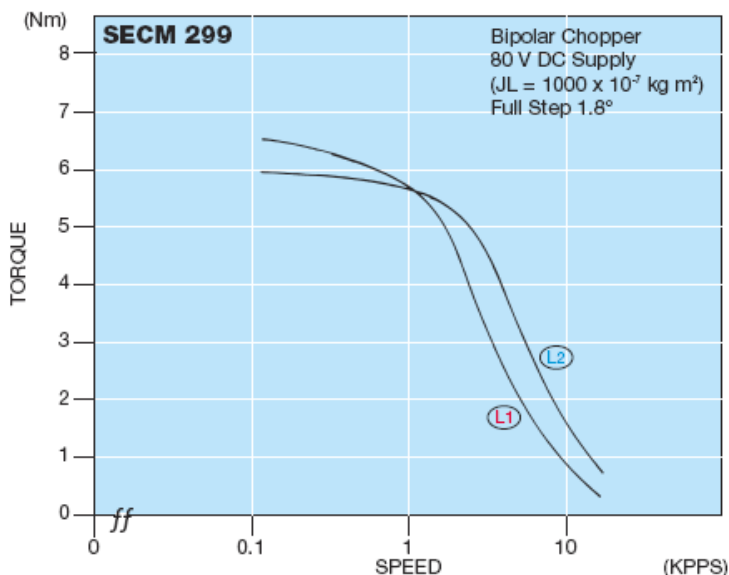
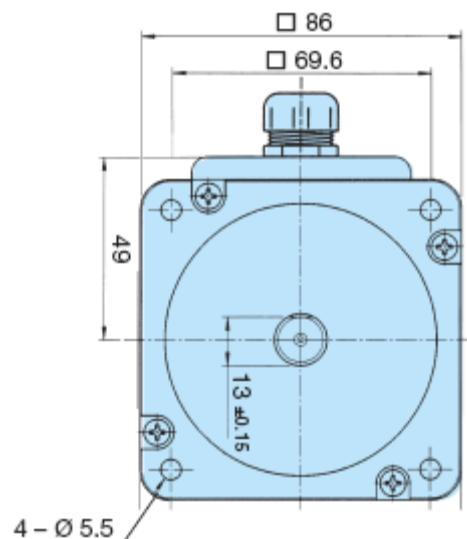
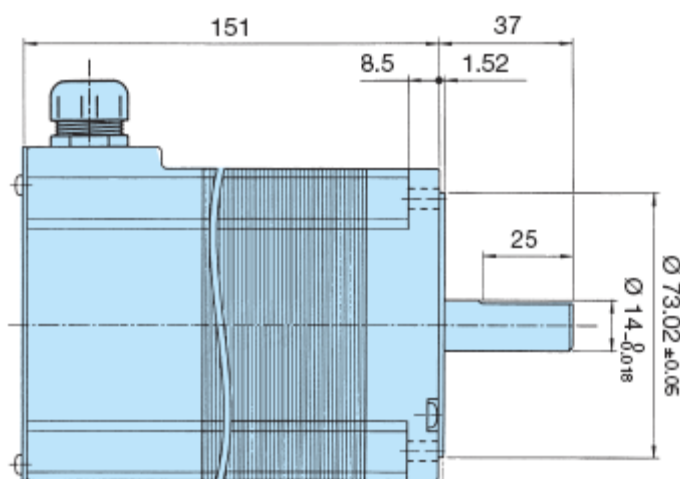
SECM299...T Serie

2-Phasen-Schrittmotor/Anschlußkasten [1,8° High-Torque-Version]

Model AE = Single Shaft T = Terminal Box	● Bipolar Parallel				● Bipolar Serial				● Unipolar				Torque Speed- curve
	Holding Torque [Nm]	Current/ Phase [A]	Resistance/ Phase [Ohm]	Inductance/ Phase [mH]	Holding Torque [Nm]	Current/ Phase [A]	Resistance/ Phase [Ohm]	Inductance/ Phase [mH]	Holding Torque [Nm]	Current/ Phase [A]	Resistance/ Phase [Ohm]	Inductance/ Phase [mH]	
SECM299-E4.5AE-T	7.30	6.4	0.3	3.1	7.30	3.2	1.2	12.4	5.40	4.5	0.6	3.1	(L1)
SECM299-E6.4AE-T	6.90	9.0	0.16*	1.1	6.90	4.5	0.64*	4.4	5.00	6.4	0.32*	1.1	(L2)

Number of Leads (Terminal Box)	Weight of Motor	Size Length	Rotor Inertia
8	3.9 kg	86 x 86 x 151 mm	3200 x 10 ⁻⁷ kgm ²

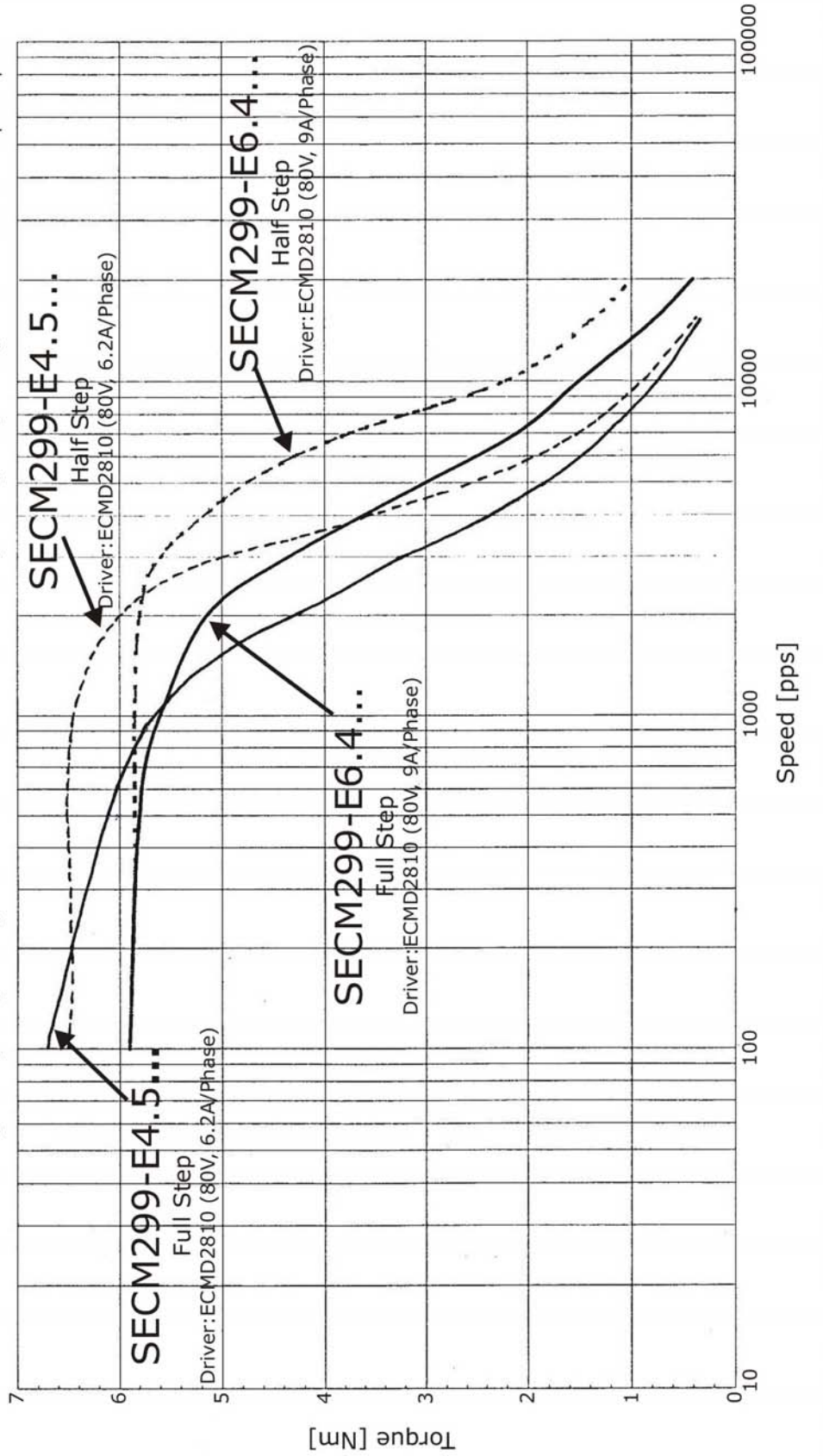
Resistance / Phase (Ω) = ± 15%, (* ± 20%), Inductance / Phase (mH) = ± 20%



Planetengetriebe sind optional erhältlich

A/AE = Single Shaft
 B/BE = Double Shaft
 T = Terminal Box
 Curve = bipolar par.

Pullout Torque Curve SECM299-E4.5A / AE / B / BE / T - SECM299-E6.4A / AE / B / BE / T



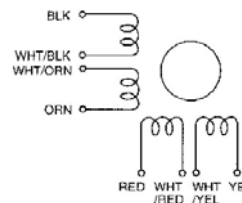
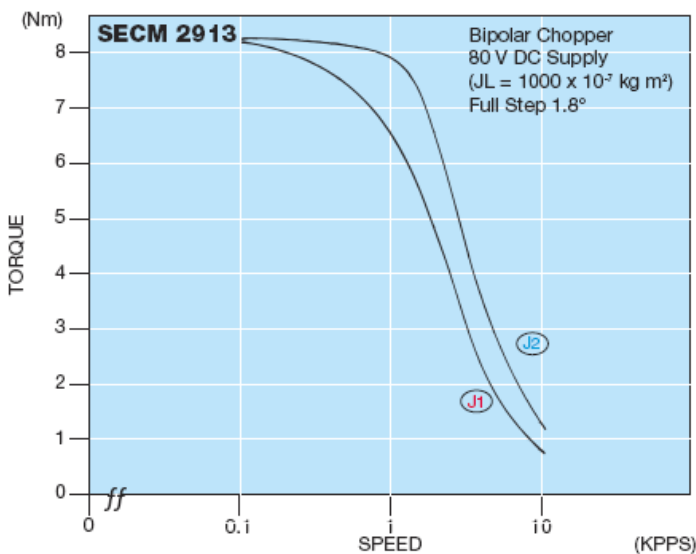
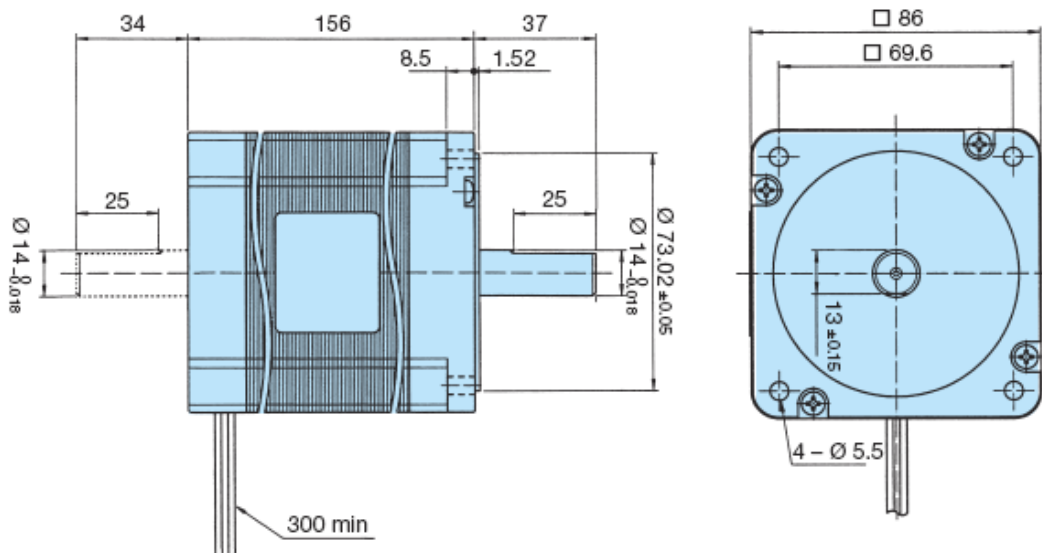


SECM2913... Serie 2-Phasen-Schrittmotor [1,8° High-Torque-Version]

Model AE = Single Shaft BE = Double Shaft	● Bipolar Parallel				● Bipolar Serial				● Unipolar				Torque Speed- curve
	Holding Torque [Nm]	Current/ Phase [A]	Resistance/ Phase [Ohm]	Inductance/ Phase [mH]	Holding Torque [Nm]	Current/ Phase [A]	Resistance/ Phase [Ohm]	Inductance/ Phase [mH]	Holding Torque [Nm]	Current/ Phase [A]	Resistance/ Phase [Ohm]	Inductance/ Phase [mH]	
SECM2913-E4.0 (AE/BE)	10.20	5.7	0.43	4.6	10.20	2.8	1.7	18.4	7.40	4.0	0.85	4.6	(J1)
SECM2913-E6.4 (AE/BE)	9.80	9.0	0.19*	1.7	9.80	4.5	0.76*	6.8	7.20	6.4	0.38*	1.7	(J2)

Number of Leads	Weight of Motor	Size Length	Rotor Inertia
8	5.0 kg	86 x 86 x 156 mm	4800 x 10 ⁻⁷ kgm ²

Resistance / Phase (Ω) = ± 15%, (* ± 20%), Inductance / Phase (mH) = ± 20%



Planetengetriebe sind optional erhältlich

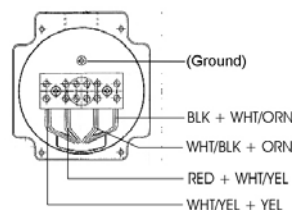
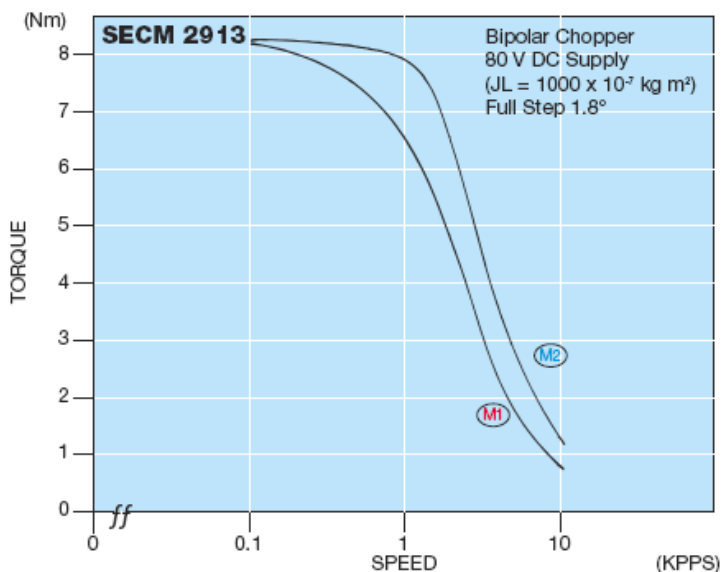
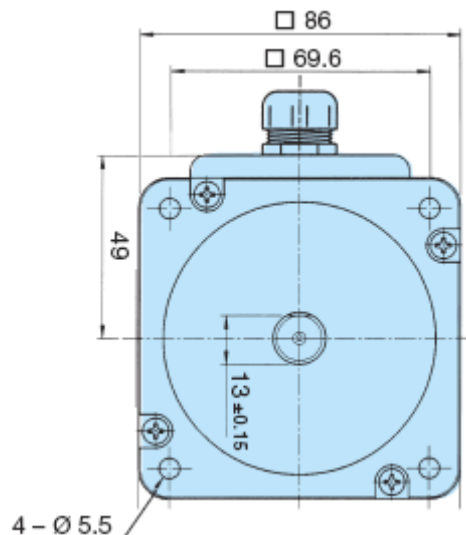
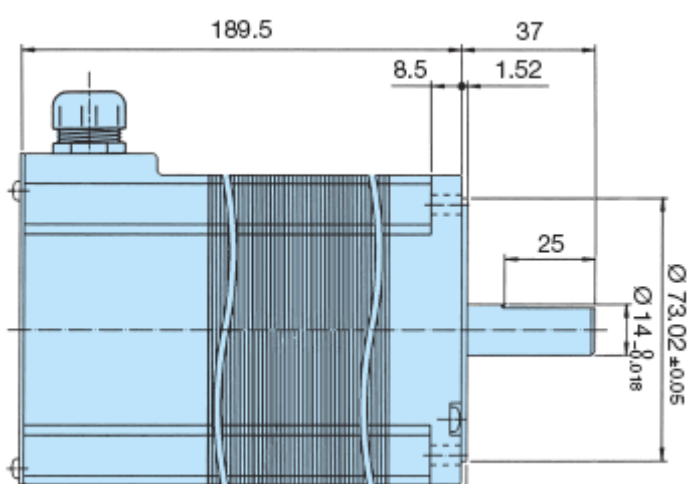


SECM2913...T Serie 2-Phasen-Schrittmotor/Anschlußkasten [1,8° High-Torque-Version]

Model AE = Single Shaft T = Terminal Box	● Bipolar Parallel				● Bipolar Serial				● Unipolar				Torque Speed- curve
	Holding Torque [Nm]	Current/ Phase [A]	Resistance/ Phase [Ohm]	Inductance/ Phase [mH]	Holding Torque [Nm]	Current/ Phase [A]	Resistance/ Phase [Ohm]	Inductance/ Phase [mH]	Holding Torque [Nm]	Current/ Phase [A]	Resistance/ Phase [Ohm]	Inductance/ Phase [mH]	
SECM2913-E4.0AE-T	10.20	5.7	0.43	4.6	10.20	2.8	1.7	18.4	7.40	4.0	0.85	4.6	M1
SECM2913-E6.4AE-T	9.80	9.0	0.19*	1.7	9.80	4.5	0.76*	6.8	7.20	6.4	0.38*	1.7	M2

Number of Leads (Terminal Box)	Weight of Motor	Size Length	Rotor Inertia
8	5.4 kg	86 x 86 x 189.5 mm	4800 x 10 ⁻⁷ kgm ²

Resistance / Phase (Ω) = $\pm 15\%$, (* $\pm 20\%$), Inductance / Phase (mH) = $\pm 20\%$



Planetengetriebe sind optional erhältlich

