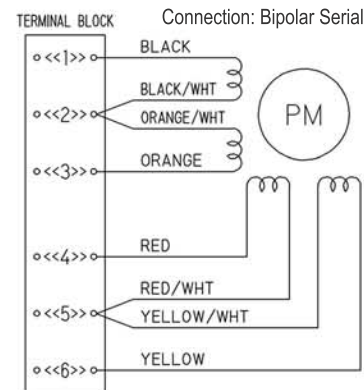
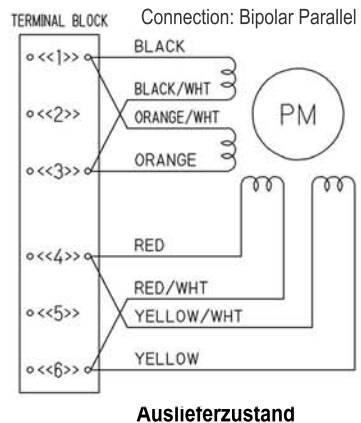
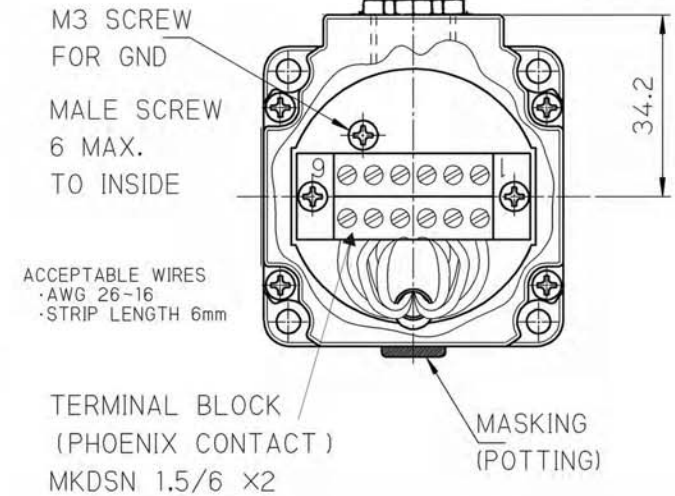
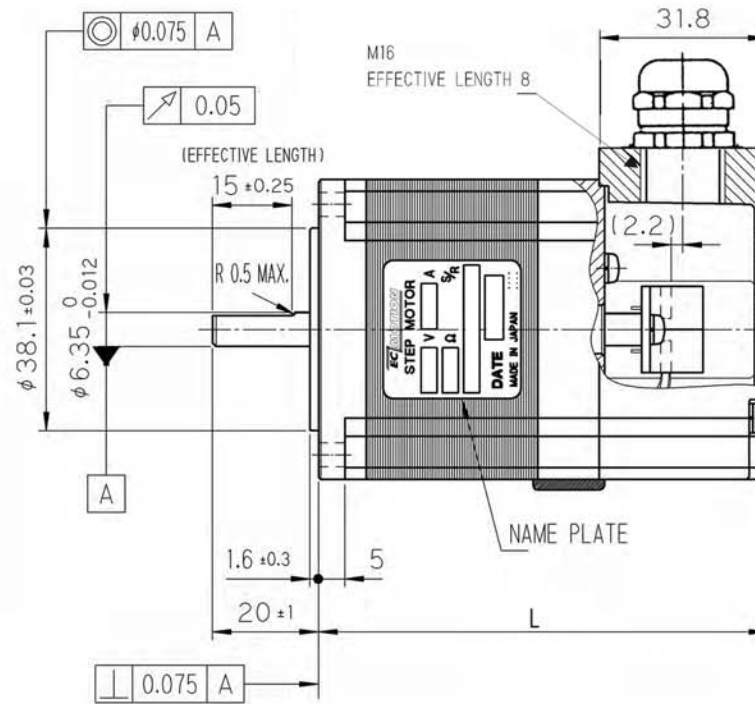
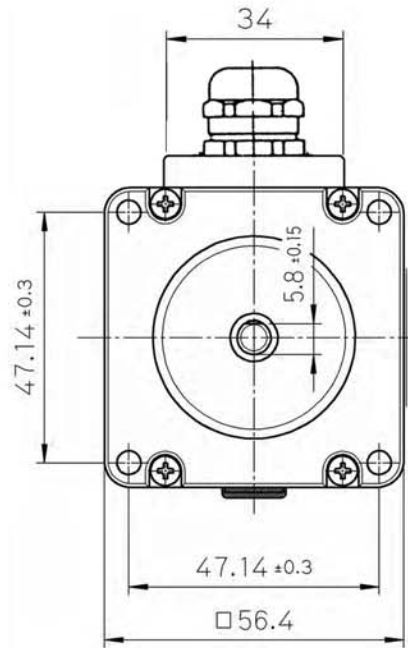
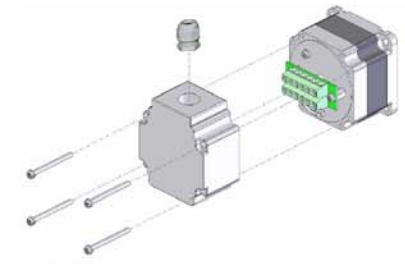


Schrittmotor mit Anschlußkasten:



1.8° Vollschrittwinkel:

SECM264-E2.0A-T (Haltemoment = 0.50 Nm)	L = 69,5 mm
SECM264-E3.0A-T (Haltemoment = 0.50 Nm)	L = 69,5 mm
SECM266-E2.0A-T (Haltemoment = 1.17 Nm)	L = 84,5 mm
SECM266-E3.0A-T (Haltemoment = 1.17 Nm)	L = 84,5 mm
SECM268-E2.0A-T (Haltemoment = 1.75 Nm)	L = 106,5 mm
SECM268-E2.3A-T (Haltemoment = 1.75 Nm)	L = 106,5 mm
SECM268-E3.0A-T (Haltemoment = 1.75 Nm)	L = 106,5 mm



SECM264 / SECM266 / SECM268

Auf den Steinen 20 - 41812 Erkelenz
Tel.: +49-2164-7014-0 - Fax: -701419
www.ec-motion.de - info@ec-motion.de

**2-Phasen-Schrittmotor
mit Anschlußkasten**

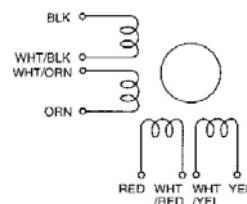
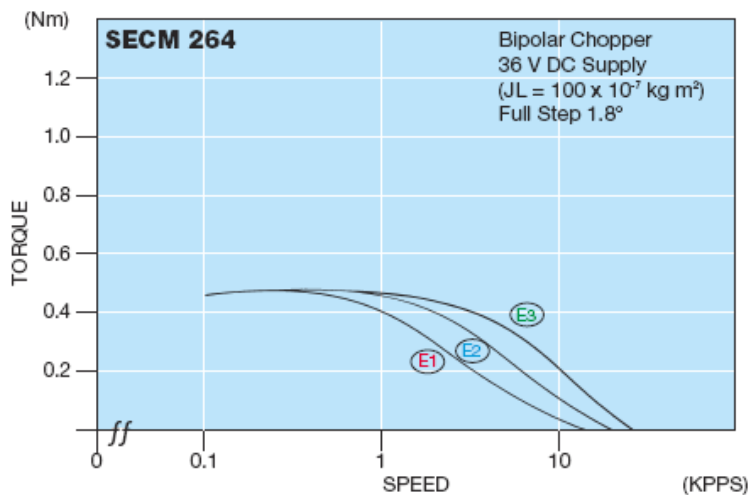
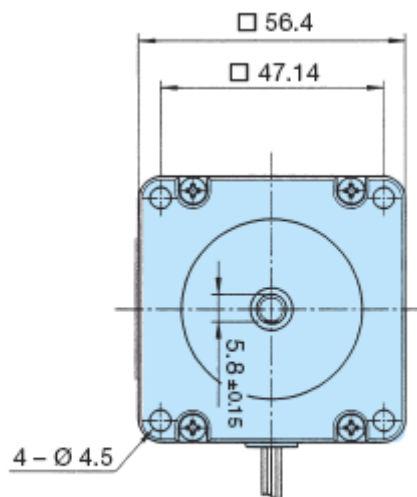
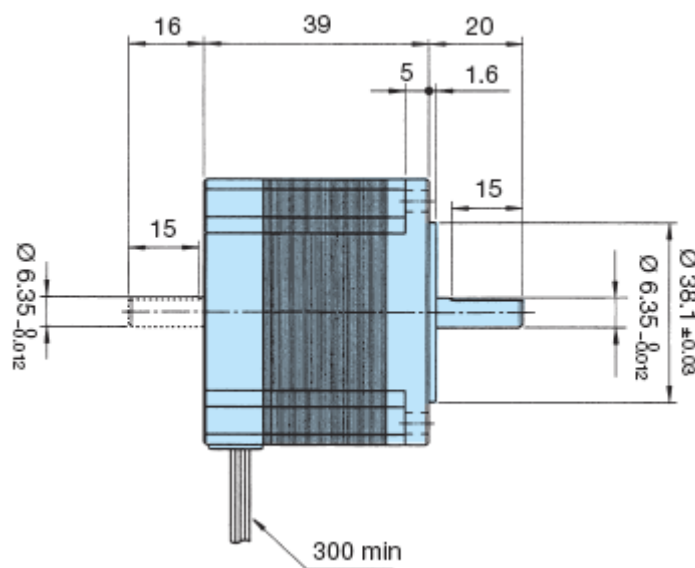


SECM264... Serie 2-Phasen-Schrittmotor [1,8° High-Torque-Version]

Model A = Single Shaft B = Double Shaft	● Bipolar Parallel				● Bipolar Serial				● Unipolar				Torque Speed- curve
	Holding Torque [Nm]	Current/ Phase [A]	Resistance/ Phase [Ohm]	Inductance/ Phase [mH]	Holding Torque [Nm]	Current/ Phase [A]	Resistance/ Phase [Ohm]	Inductance/ Phase [mH]	Holding Torque [Nm]	Current/ Phase [A]	Resistance/ Phase [Ohm]	Inductance/ Phase [mH]	
SECM264-E1.0 (A/B)	0.50	1.4	2.6	5.4	0.50	0.7	10.4	21.6	0.39	1.0	5.2	5.4	E1
SECM264-E2.0 (A/B)	0.50	2.8	0.7	1.4	0.50	1.4	2.8	5.6	0.39	2.0	1.4	1.4	E2
SECM264-E3.0 (A/B)	0.50	4.2	0.3*	0.5	0.50	2.1	1.2*	2.0	0.39	3.0	0.6*	0.5	E2

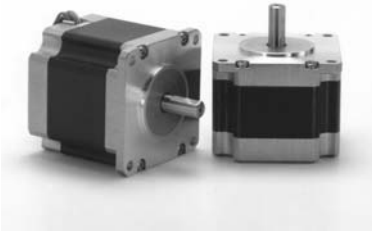
Number of Leads	Weight of Motor	Size Length	Rotor Inertia
8	0.45 kg	56.4 x 56.4 x 39 mm	120 x 10 ⁻⁷ kgm ²

Resistance / Phase (Ω) = ± 10%, (* ± 15%), Inductance / Phase (mH) = ± 20%



Planetengetriebe / Encoder sind optional erhältlich

EC MOTION

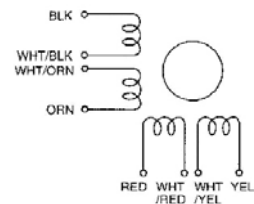
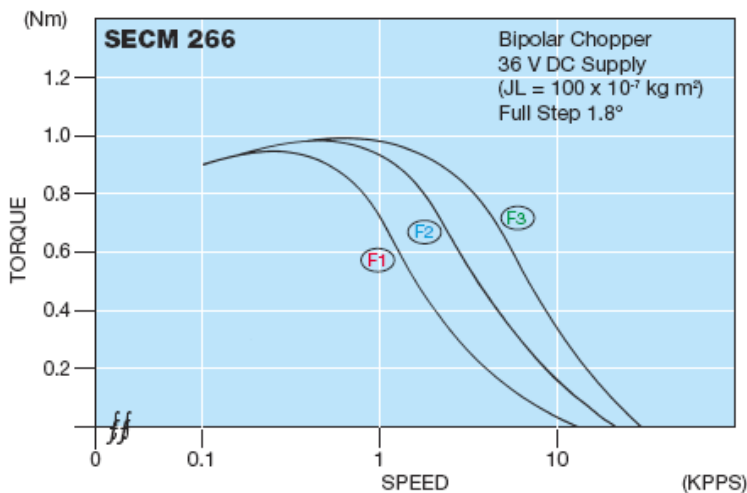
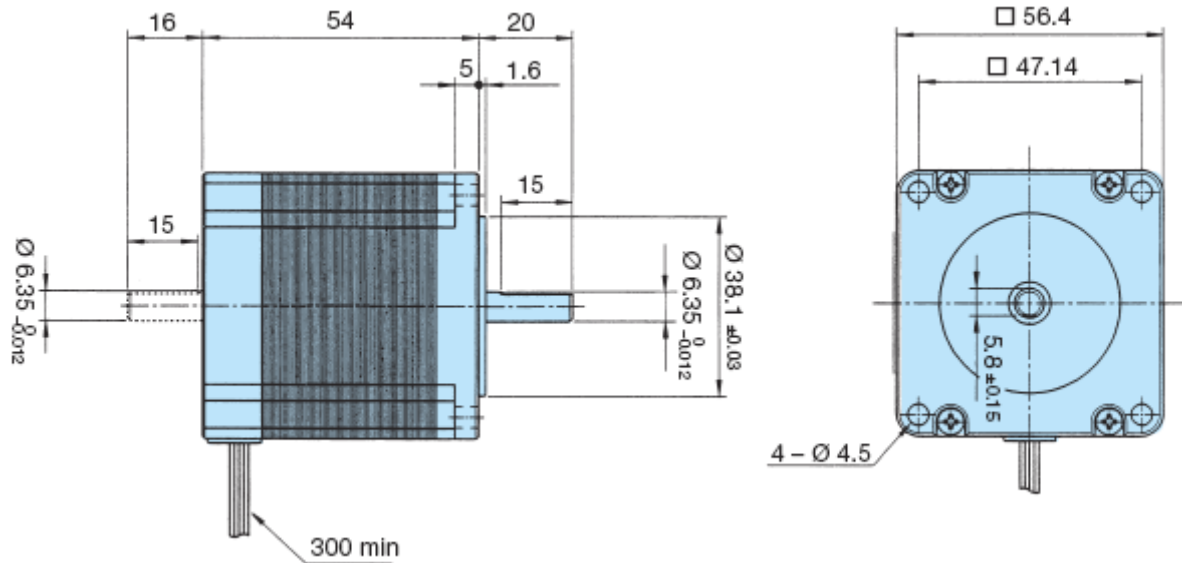


SECM266... Serie 2-Phasen-Schrittmotor [1,8° High-Torque-Version]

Model A = Single Shaft B = Double Shaft	● Bipolar Parallel				● Bipolar Serial				● Unipolar				Torque Speed-curve
	Holding Torque [Nm]	Current/Phase [A]	Resistance/Phase [Ohm]	Inductance/Phase [mH]	Holding Torque [Nm]	Current/Phase [A]	Resistance/Phase [Ohm]	Inductance/Phase [mH]	Holding Torque [Nm]	Current/Phase [A]	Resistance/Phase [Ohm]	Inductance/Phase [mH]	
SECM266-E1.0 (A/B)	1.17	1.4	3.6	11.0	1.17	0.7	14.4	44.0	0.90	1.0	7.2	11.0	F1
SECM266-E2.0 (A/B)	1.17	2.8	0.9	2.5	1.17	1.4	3.6	10.0	0.90	2.0	1.8	2.5	F2
SECM266-E3.0 (A/B)	1.17	4.2	0.4*	1.2	1.17	2.1	1.6*	4.8	0.90	3.0	0.8*	1.2	F3

Number of Leads	Weight of Motor	Size Length	Rotor Inertia
8	0.7 kg	56.4 x 56.4 x 54 mm	260 x 10 ⁻⁷ kgm ²

Resistance / Phase (Ω) = ± 10%, (* ± 15%), Inductance / Phase (mH) = ± 20%



Planetengetriebe / Encoder sind optional erhältlich



EC Motion GmbH - Auf den Steinen 20 - 41812 Erkelenz
Tel.: +49 (0)2164-7014-0 - Fax.: +49 (0)2164-701419
Internet: www.ec-motion.de - e-mail: info@ec-motion.de



EC MOTION

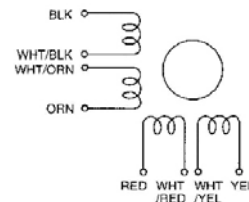
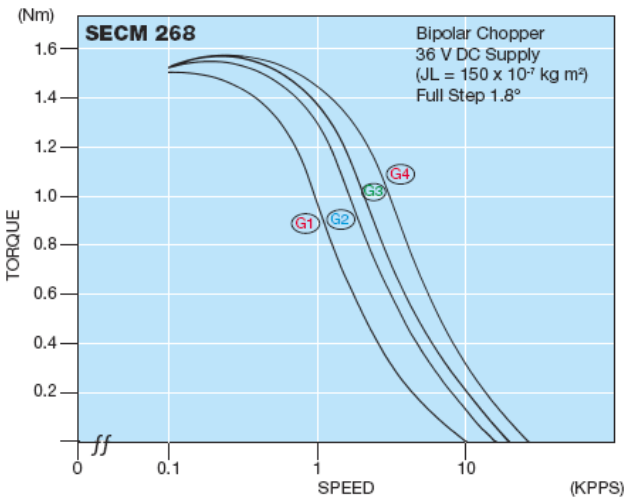
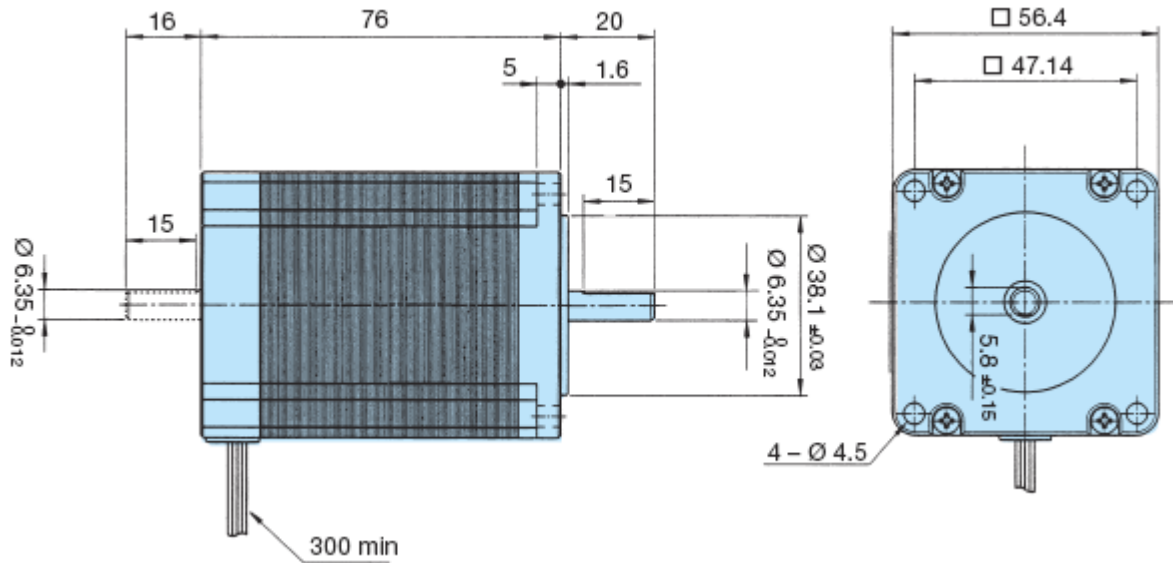


SECM268... Serie 2-Phasen-Schrittmotor [1,8° High-Torque-Version]

Model A = Single Shaft B = Double Shaft	● Bipolar Parallel				● Bipolar Serial				● Unipolar				Torque Speed- curve
	Holding Torque [Nm]	Current/ Phase [A]	Resistance/ Phase [Ohm]	Inductance/ Phase [mH]	Holding Torque [Nm]	Current/ Phase [A]	Resistance/ Phase [Ohm]	Inductance/ Phase [mH]	Holding Torque [Nm]	Current/ Phase [A]	Resistance/ Phase [Ohm]	Inductance/ Phase [mH]	
SECM268-E1.0 (A/B)	1.75	1.4	4.1	14.0	1.75	0.7	16.4	56.0	1.35	1.0	8.2	14.0	G1
SECM268-E2.0 (A/B)	1.75	2.8	1.2	3.6	1.75	1.4	4.6	14.4	1.35	2.0	2.3	3.6	G2
SECM268-E2.3 (A/B)	1.75	3.3	0.9	2.8	1.75	1.65	3.4	11.2	1.35	2.3	1.7	2.8	G3
SECM268-E3.0 (A/B)	1.75	4.2	0.5*	1.6	1.75	2.1	2.0*	6.4	1.35	3.0	1.0*	1.6	G4

Number of Leads	Weight of Motor	Size Length	Rotor Inertia
8	1.0 kg	56.4 x 56.4 x 76 mm	430 x 10 ⁻⁷ kgm ²

Resistance / Phase (Ω) = ± 10%, (* ± 15%), Inductance / Phase (mH) = ± 20%



Planetengetriebe / Encoder sind optional erhältlich



EC Motion GmbH - Auf den Steinen 20 - 41812 Erkelenz
Tel.: +49 (0)2164-7014-0 - Fax.: +49 (0)2164-701419
Internet: www.ec-motion.de - e-mail: info@ec-motion.de

