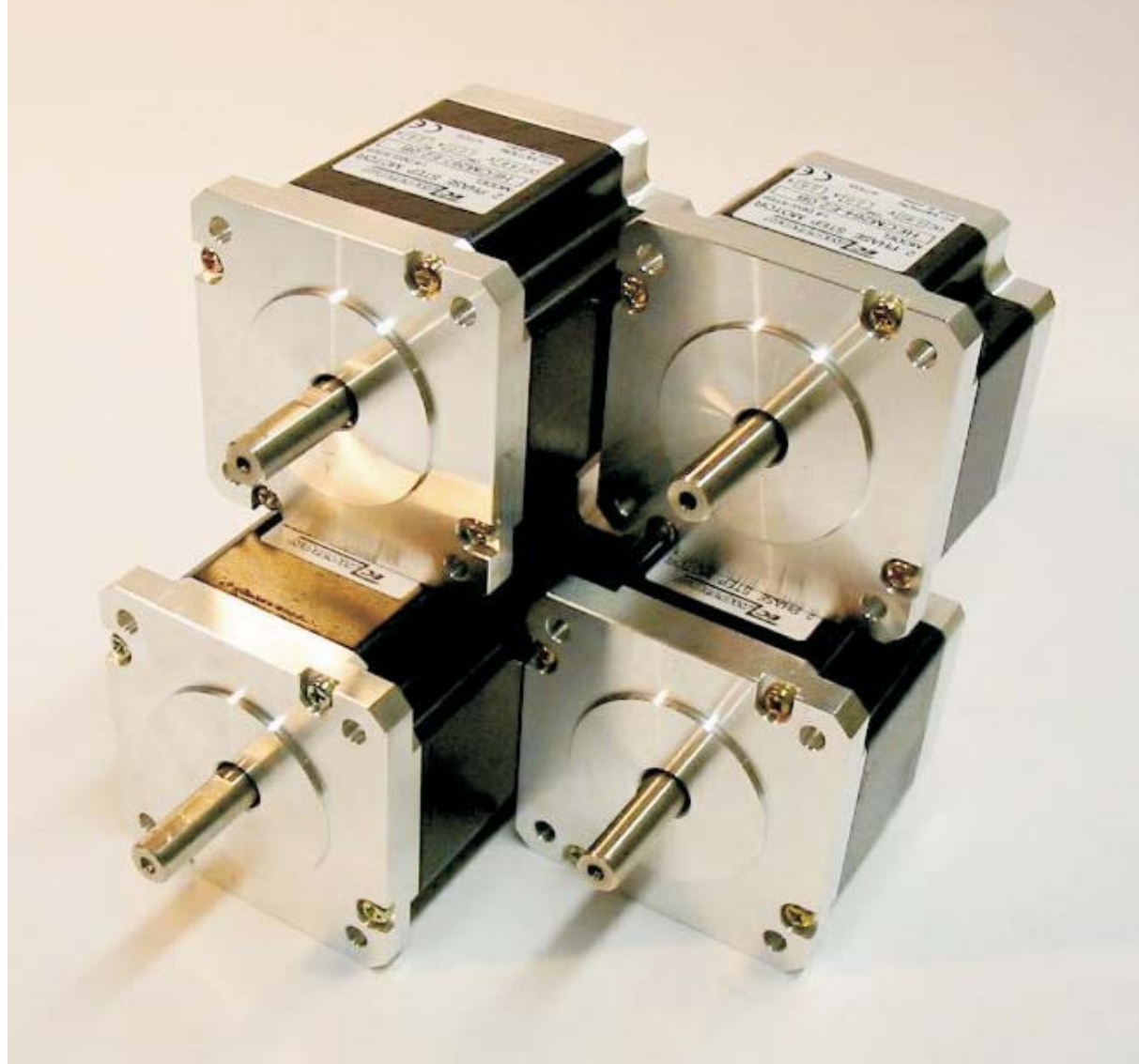




# EC MOTION



## **STEPPING MOTORS**

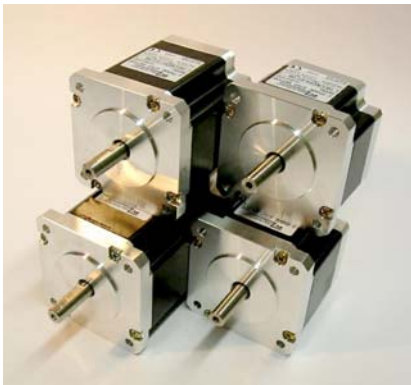
2-Phase Hybrid Type

1.8° Full Step Angle

## **SCHRITTMOTOREN**

2-Phasen Hybrid-Schrittmotoren

1,8° Vollschriftwinkel



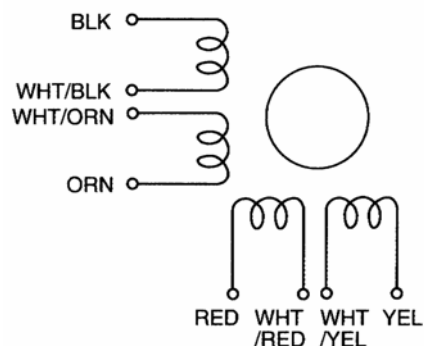
## HECM264-E2.0A HECM264-E2.0B

2-Phasen-High-Torque-Schrittmotor  
mit erhöhtem Drehmoment  
[1,8° Standard-Version]

Model		Connection Type	Holding Torque (Nm)	Current /Phase (Amps)	Resistance /Phase ( $\Omega$ ) $\pm 10\%$	Inductance /Phase (mH) $\pm 20\%$
Single Shaft	Double Shaft					
HECM264-E2.0A	HECM264-E2.0B	Bipolar (Parallel)	1.15	2.8	0.73	2.1
HECM264-E2.0A	HECM264-E2.0B	Bipolar (Series)	1.15	1.4	2.90	8.4
HECM264-E2.0A	HECM264-E2.0B	Unipolar	0.85	2.0	1.45	2.1

Number of Leads	Weight (Kg)	Size Length (L= mm)	Rotor Inertia (gcm <sup>2</sup> )
8	0.6	43.5	280

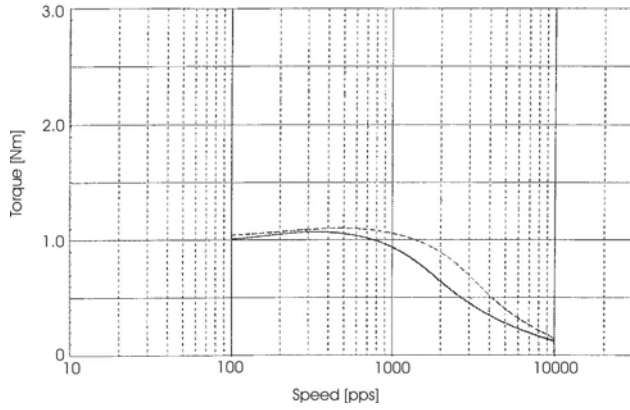
Shaft Runout	0.05 mm Max. T.I.R.
Shaft Radial Play	0.025 mm Max. (0.5kg)
Shaft Axial Play	0.075 mm Max. (1 kg)
Insulation Resistance	100 M $\Omega$ (DC 500 V)
Dielectric Strength	500 V AC (1 Minute)
Insulation Class	CLASS B (130°)
Temperature Rise	80°C max. (2 Phase on)
Working Temperature	-20°C ~ +50°C



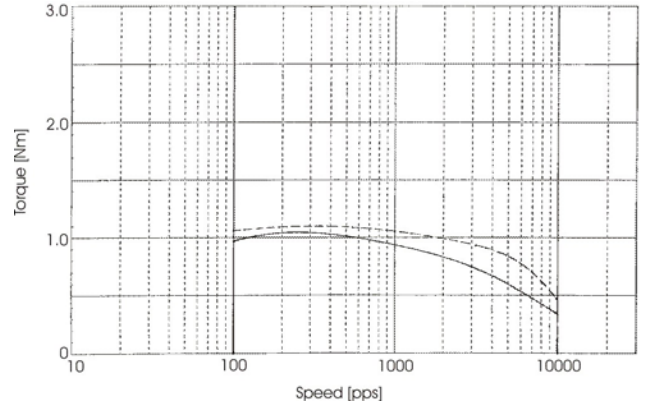
# Torque-Curve (bipolar-parallel)

— Vollschritt  
 - - - Halbschritt

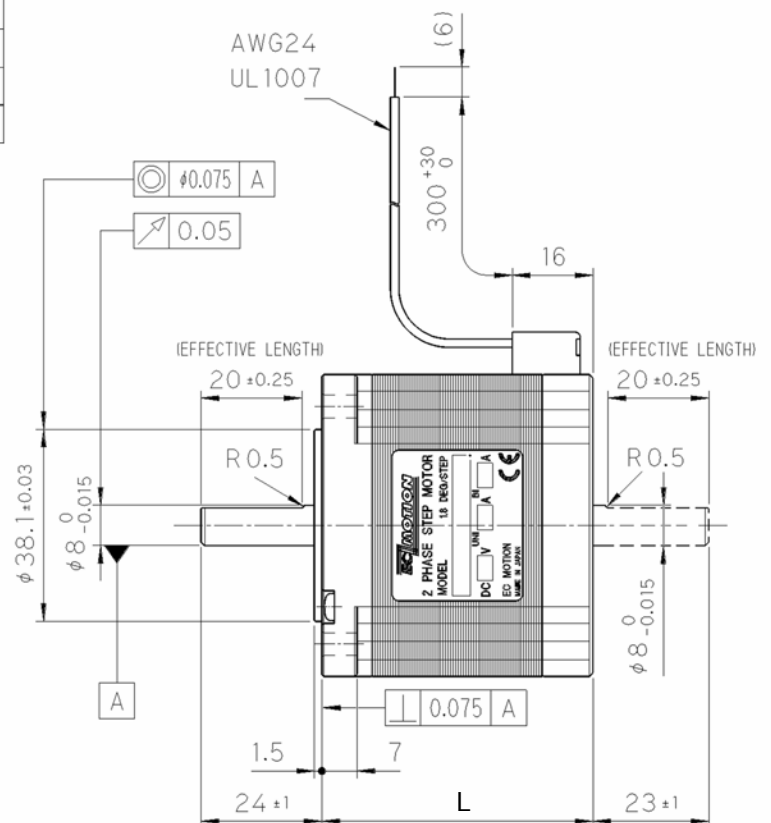
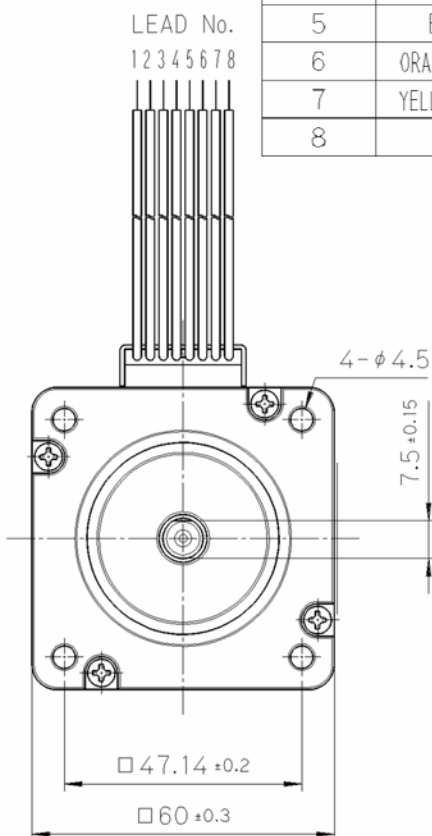
Motor: HECM264-E2.0A/B  
 Driver: ECMD275.000 (24V; 2.8A)



Motor: HECM264-E2.0A/B  
 Driver: ECMD275.000 (48V; 2.8A)



LEAD No.	LEAD COLOR
1	ORANGE
2	BLACK / WHITE
3	RED / WHITE
4	YELLOW
5	BLACK
6	ORANGE / WHITE
7	YELLOW / WHITE
8	RED





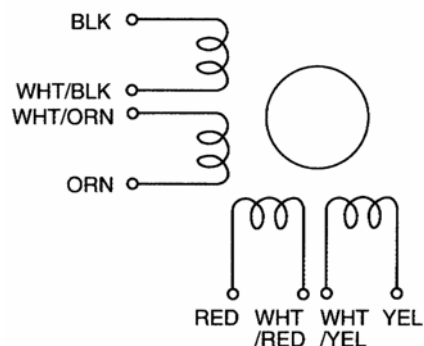
## HECM264-E3.0A HECM264-E3.0B

2-Phasen-High-Torque-Schrittmotor  
mit erhöhtem Drehmoment  
[1,8° Standard-Version]

Model		Connection Type	Holding Torque (Nm)	Current /Phase (Amps)	Resistance /Phase ( $\Omega$ ) $\pm 15\%$	Inductance /Phase (mH) $\pm 20\%$
Single Shaft	Double Shaft					
HECM264-E3.0A	HECM264-E3.0B	Bipolar (Parallel)	1.15	4.2	0.33	1.0
HECM264-E3.0A	HECM264-3.0B	Bipolar (Series)	1.15	2.1	1.30	4.0
HECM264-E3.0A	HECM264-E3.0B	Unipolar	0.85	3.0	0.65	1.0

Number of Leads	Weight (Kg)	Size Length (L= mm)	Rotor Inertia (gcm <sup>2</sup> )
8	0.6	43.5	280

Shaft Runout	0.05 mm Max. T.I.R.
Shaft Radial Play	0.025 mm Max. (0.5kg)
Shaft Axial Play	0.075 mm Max. (1 kg)
Insulation Resistance	100 M $\Omega$ (DC 500 V)
Dielectric Strength	500 V AC (1 Minute)
Insulation Class	CLASS B (130°)
Temperature Rise	80°C max. (2 Phase on)
Working Temperature	-20°C ~ +50°C



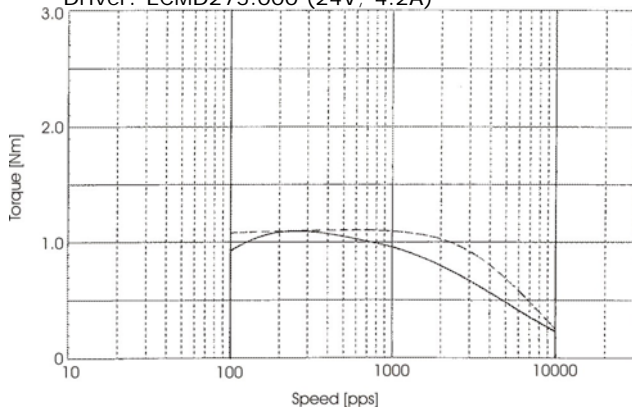
EC Motion GmbH - Auf den Steinen 20 - 41812 Erkelenz  
Tel.: +49 (0)2164-7014-0 - Fax. : +49 (0)2164-701419  
Internet: [www.ec-motion.de](http://www.ec-motion.de) - e-mail: [info@ec-motion.de](mailto:info@ec-motion.de)



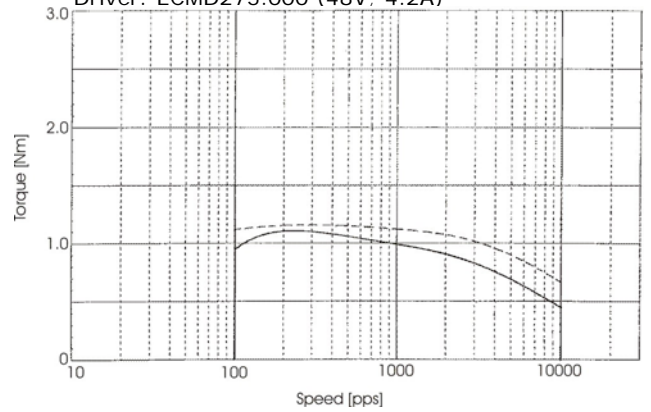
# Torque-Curve (bipolar-parallel)

— Vollschritt  
 - - - Halbschritt

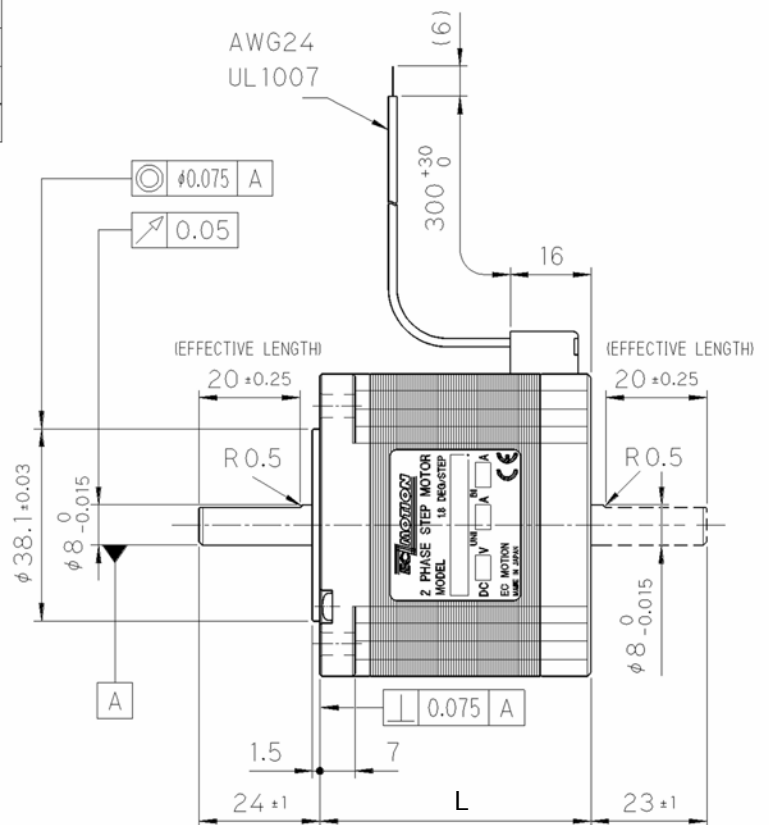
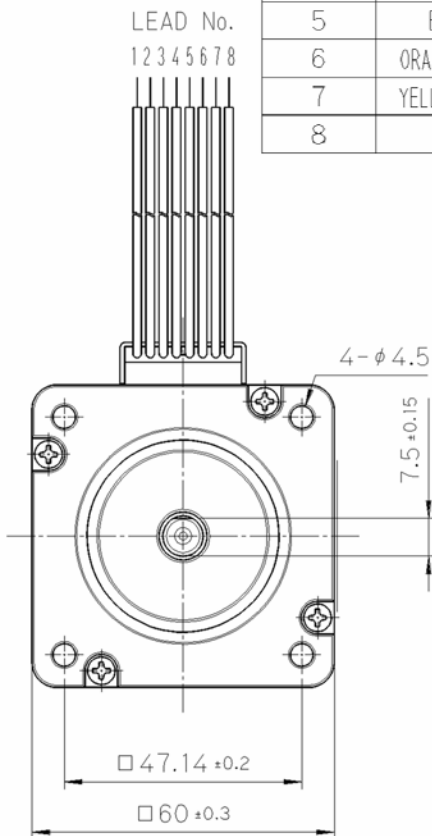
Motor: HECM264-E3.0A/B  
 Driver: ECMD275.000 (24V; 4.2A)



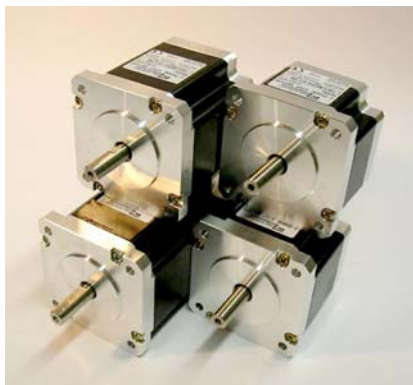
Motor: HECM264-E3.0A/B  
 Driver: ECMD275.000 (48V; 4.2A)



LEAD No.	LEAD COLOR
1	ORANGE
2	BLACK / WHITE
3	RED / WHITE
4	YELLOW
5	BLACK
6	ORANGE / WHITE
7	YELLOW / WHITE
8	RED







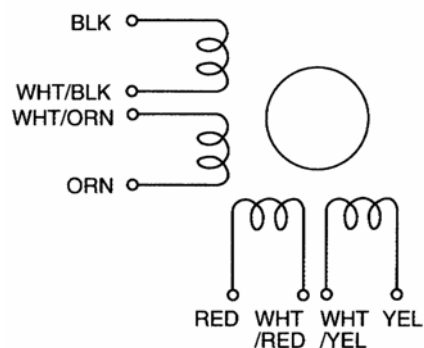
## HECM266-E2.0A HECM266-E2.0B

2-Phasen-High-Torque-Schrittmotor  
mit erhöhtem Drehmoment  
[1,8° Standard-Version]

Model		Connection Type	Holding Torque (Nm)	Current /Phase (Amps)	Resistance /Phase ( $\Omega$ ) $\pm$ 10%	Inductance /Phase (mH) $\pm$ 20%
Single Shaft	Double Shaft					
HECM266-E2.0A	HECM266-E2.0B	Bipolar (Parallel)	1.82	2.8	1.0	3.8
HECM266-E2.0A	HECM266-E2.0B	Bipolar (Series)	1.82	1.4	4.0	15.2
HECM266-E2.0A	HECM266-E2.0B	Unipolar	1.35	2.0	2.0	3.8

Number of Leads	Weight (Kg)	Size Length (L= mm)	Rotor Inertia (gcm <sup>2</sup> )
8	0.85	54	450

Shaft Runout	0.05 mm Max. T.I.R.
Shaft Radial Play	0.025 mm Max. (0.5kg)
Shaft Axial Play	0.075 mm Max. (1 kg)
Insulation Resistance	100 M $\Omega$ (DC 500 V)
Dielectric Strength	500 V AC (1 Minute)
Insulation Class	CLASS B (130°)
Temperature Rise	80°C max. (2 Phase on)
Working Temperature	-20°C ~ +50°C

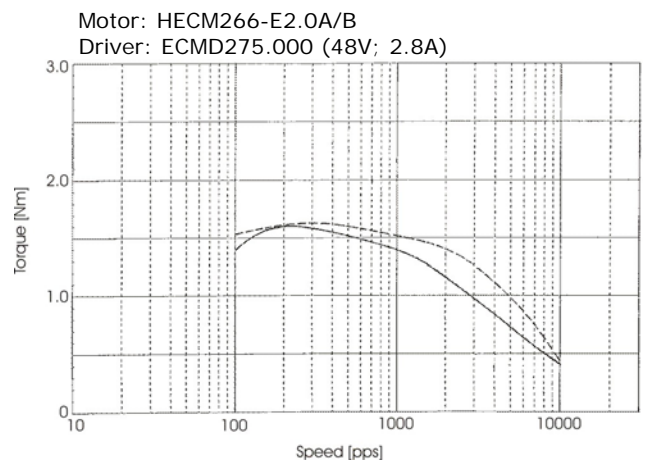
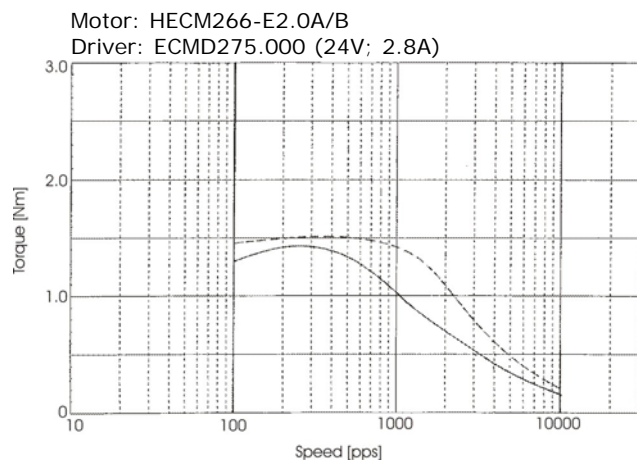


EC Motion GmbH - Auf den Steinen 20 - 41812 Erkelenz  
Tel.: +49 (0)2164-7014-0 - Fax. : +49 (0)2164-701419  
Internet: [www.ec-motion.de](http://www.ec-motion.de) - e-mail: [info@ec-motion.de](mailto:info@ec-motion.de)

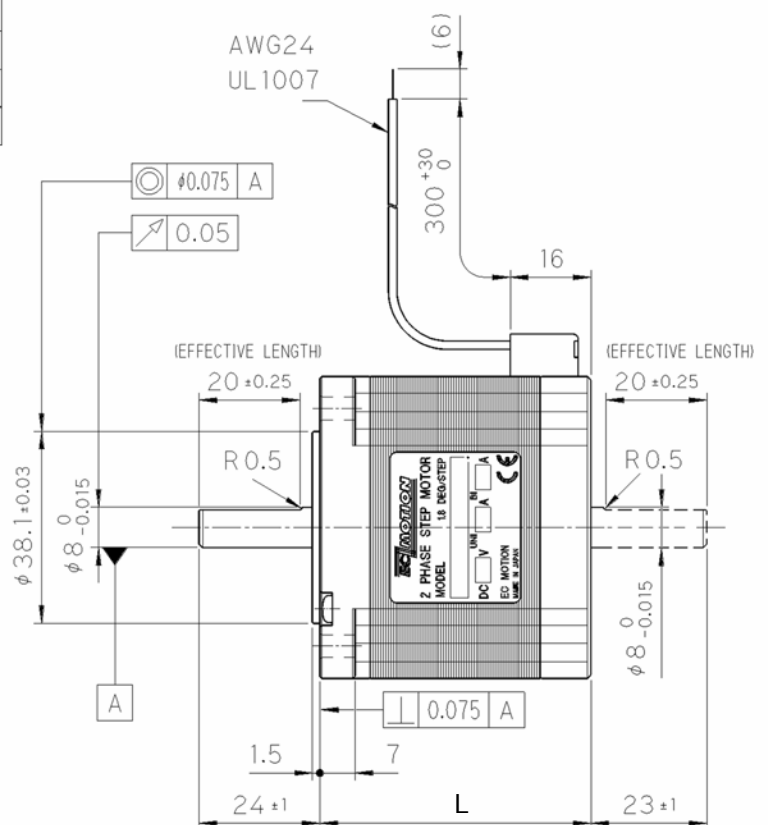
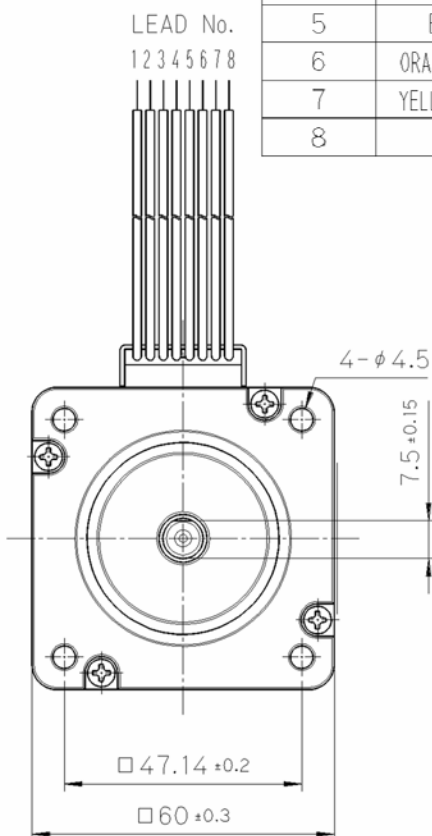


# Torque-Curve (bipolar-parallel)

— Vollschritt  
 - - - Halbschritt



LEAD No.	LEAD COLOR
1	ORANGE
2	BLACK / WHITE
3	RED / WHITE
4	YELLOW
5	BLACK
6	ORANGE / WHITE
7	YELLOW / WHITE
8	RED





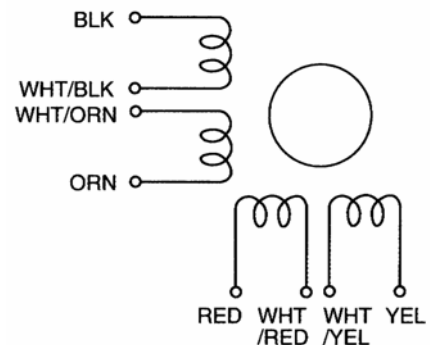
## HECEM266-E3.0A HECEM266-E3.0B

2-Phasen-High-Torque-Schrittmotor  
mit erhöhtem Drehmoment  
[1,8° Standard-Version]

Model		Connection Type	Holding Torque (Nm)	Current /Phase (Amps)	Resistance /Phase ( $\Omega$ ) $\pm 15\%$	Inductance /Phase (mH) $\pm 20\%$
Single Shaft	Double Shaft					
HECEM266-E3.0A	HECEM266-E3.0B	Bipolar (Parallel)	1.82	4.2	0.43	1.6
HECEM266-E3.0A	HECEM266-E3.0B	Bipolar (Series)	1.82	2.1	1.7	6.4
HECEM266-E3.0A	HECEM266-E3.0B	Unipolar	1.35	3.0	0.85	1.6

Number of Leads	Weight (Kg)	Size Length (L= mm)	Rotor Inertia (gcm <sup>2</sup> )
8	0.85	54	450

Shaft Runout	0.05 mm Max. T.I.R.
Shaft Radial Play	0.025 mm Max. (0.5kg)
Shaft Axial Play	0.075 mm Max. (1 kg)
Insulation Resistance	100 M $\Omega$ (DC 500 V)
Dielectric Strength	500 V AC (1 Minute)
Insulation Class	CLASS B (130°)
Temperature Rise	80°C max. (2 Phase on)
Working Temperature	-20°C ~ +50°C



EC Motion GmbH - Auf den Steinen 20 - 41812 Erkelenz  
Tel.: +49 (0)2164-7014-0 - Fax. : +49 (0)2164-701419  
Internet: [www.ec-motion.de](http://www.ec-motion.de) - e-mail: [info@ec-motion.de](mailto:info@ec-motion.de)

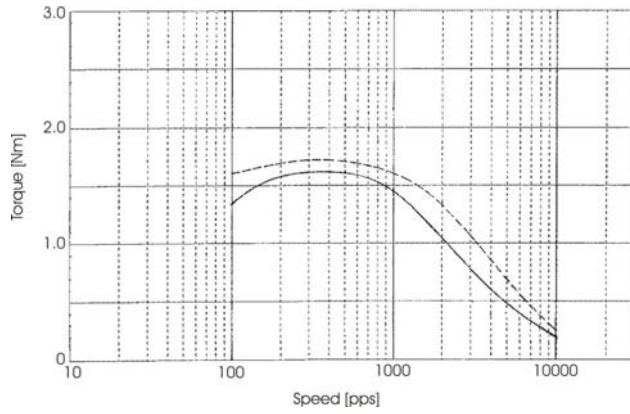




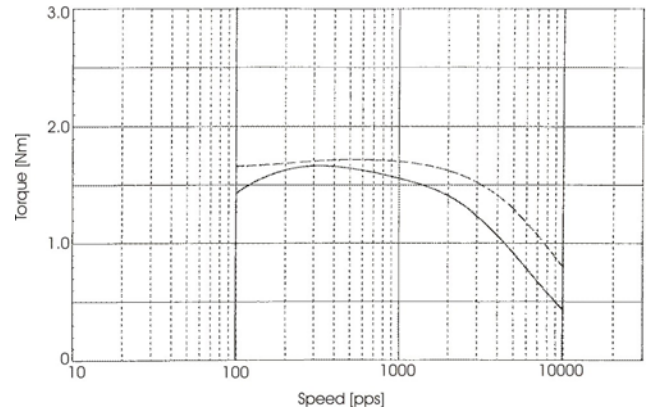
# Torque-Curve (bipolar-parallel)

— Vollschritt  
 - - - Halbschritt

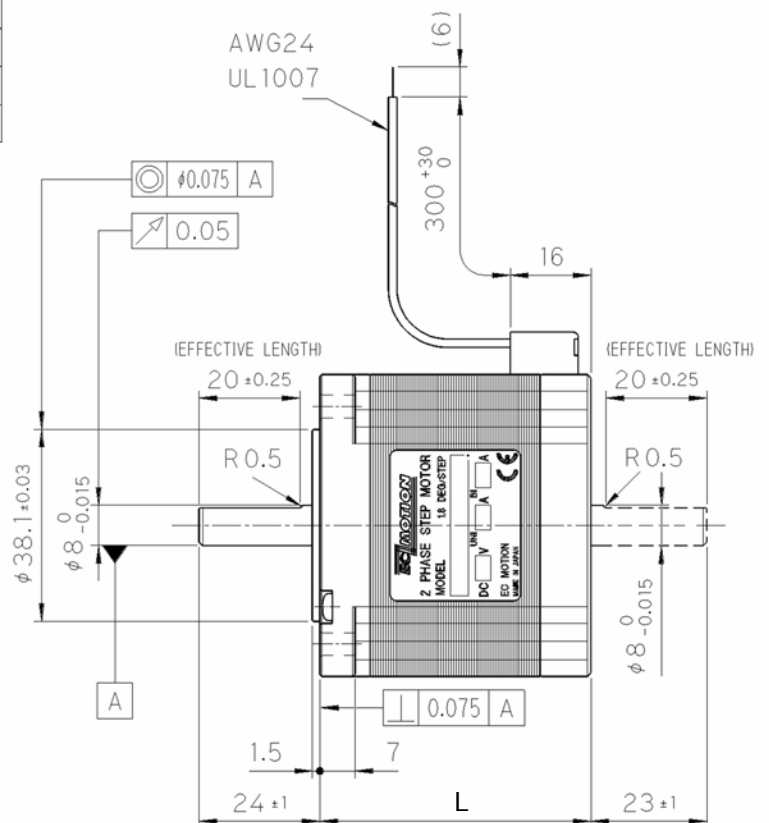
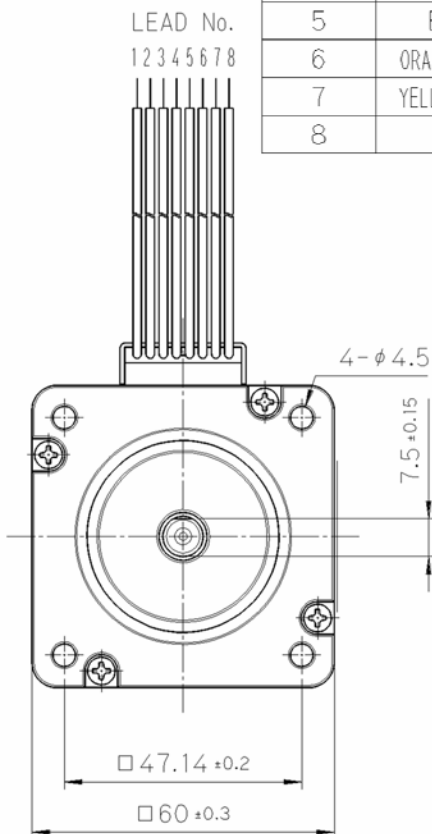
Motor: HECM266-E3.0A/B  
 Driver: ECMD275.000 (24V; 4.2A)

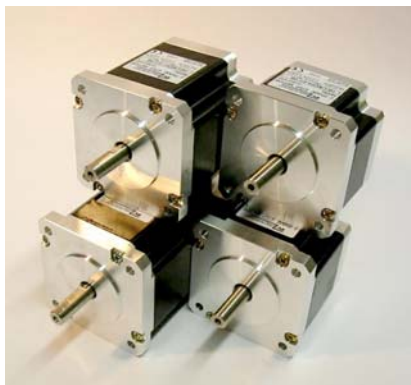


Motor: HECM266-E3.0A/B  
 Driver: ECMD275.000 (48V; 4.2A)



LEAD No.	LEAD COLOR
1	ORANGE
2	BLACK / WHITE
3	RED / WHITE
4	YELLOW
5	BLACK
6	ORANGE / WHITE
7	YELLOW / WHITE
8	RED





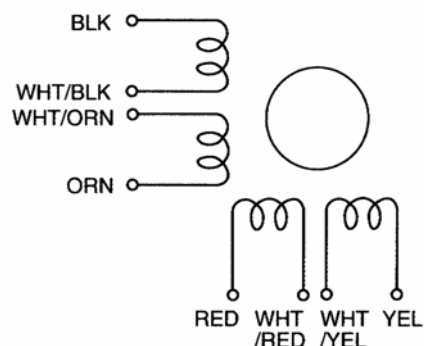
## HECM267-E2.4A HECM267-E2.4B

2-Phasen-High-Torque-Schrittmotor  
mit erhöhtem Drehmoment  
[1,8° Standard-Version]

Model		Connection Type	Holding Torque (Nm)	Current /Phase (Amps)	Resistance /Phase ( $\Omega$ ) $\pm$ 10%	Inductance /Phase (mH) $\pm$ 20%
Single Shaft	Double Shaft					
HECM267-E2.4A	HECM267-E2.4B	Bipolar (Parallel)	2.35	3.5	0.75	3.1
HECM267-E2.4A	HECM267-E2.4B	Bipolar (Series)	2.35	1.75	3.0	12.4
HECM267-E2.4A	HECM267-E2.4B	Unipolar	1.75	2.45	1.5	3.1

Number of Leads	Weight (Kg)	Size Length (L= mm)	Rotor Inertia (gcm <sup>2</sup> )
8	1.1	65	570

Shaft Runout	0.05 mm Max. T.I.R.
Shaft Radial Play	0.025 mm Max. (0.5kg)
Shaft Axial Play	0.075 mm Max. (1 kg)
Insulation Resistance	100 M $\Omega$ (DC 500 V)
Dielectric Strength	500 V AC (1 Minute)
Insulation Class	CLASS B (130°)
Temperature Rise	80°C max. (2 Phase on)
Working Temperature	-20°C ~ +50°C

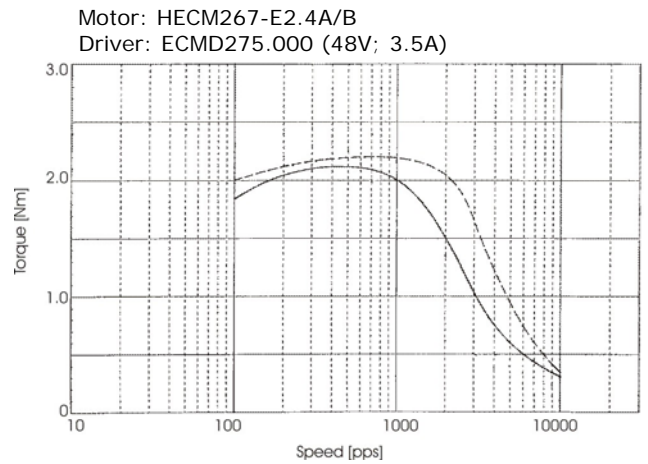
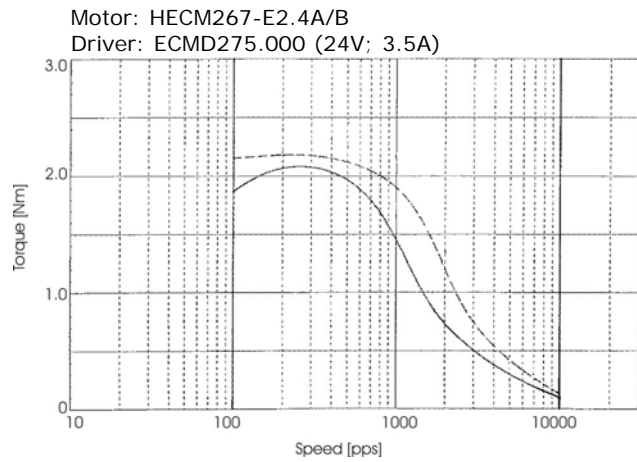


EC Motion GmbH - Auf den Steinen 20 - 41812 Erkelenz  
Tel.: +49 (0)2164-7014-0 - Fax. : +49 (0)2164-701419  
Internet: [www.ec-motion.de](http://www.ec-motion.de) - e-mail: [info@ec-motion.de](mailto:info@ec-motion.de)

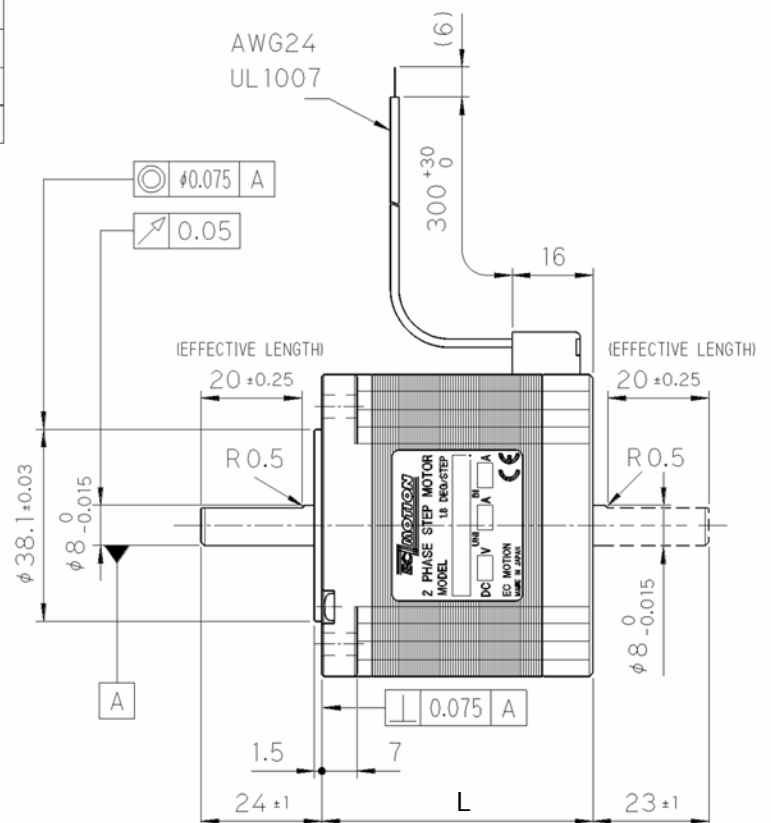
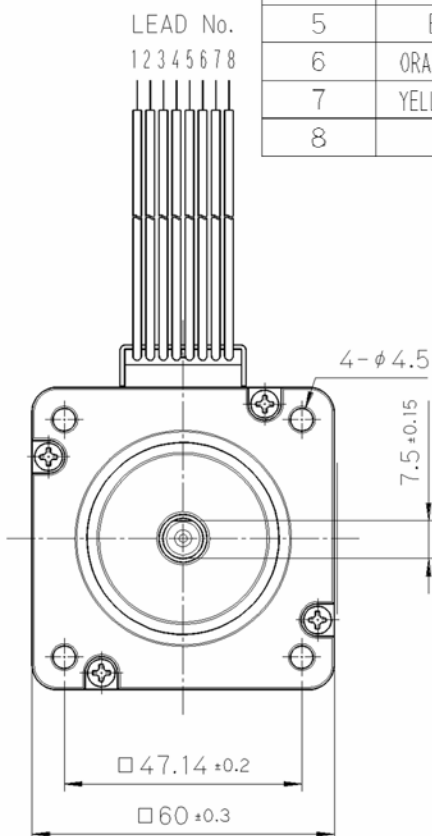


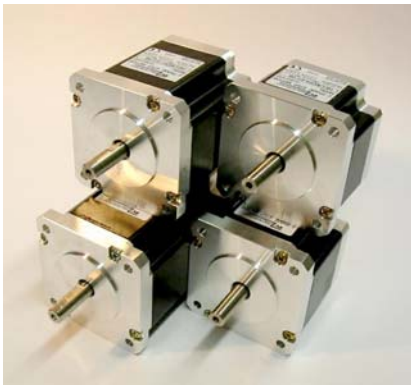
# Torque-Curve (bipolar-parallel)

— Vollschritt  
 - - - Halbschritt



LEAD No.	LEAD COLOR
1	ORANGE
2	BLACK / WHITE
3	RED / WHITE
4	YELLOW
5	BLACK
6	ORANGE / WHITE
7	YELLOW / WHITE
8	RED





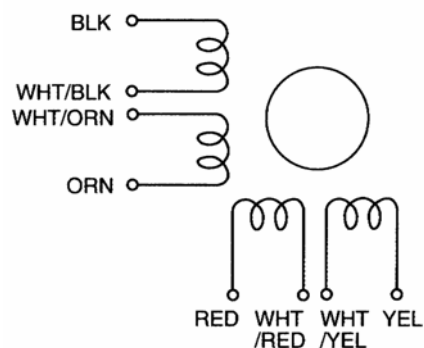
## HECEM267-E3.0A HECEM267-E3.0B

2-Phasen-High-Torque-Schrittmotor  
mit erhöhtem Drehmoment  
[1,8° Standard-Version]

Model		Connection Type	Holding Torque (Nm)	Current /Phase (Amps)	Resistance /Phase ( $\Omega$ ) $\pm$ 15%	Inductance /Phase (mH) $\pm$ 20%
Single Shaft	Double Shaft					
HECEM267-E3.0A	HECEM267-E3.0B	Bipolar (Parallel)	2.35	4.2	0.5	2.0
HECEM267-E3.0A	HECEM267-E3.0B	Bipolar (Series)	2.35	2.1	2.0	8.0
HECEM267-E3.0A	HECEM267-E3.0B	Unipolar	1.75	3.0	1.0	2.0

Number of Leads	Weight (Kg)	Size Length (L= mm)	Rotor Inertia (gcm <sup>2</sup> )
8	1.1	65	570

Shaft Runout	0.05 mm Max. T.I.R.
Shaft Radial Play	0.025 mm Max. (0.5kg)
Shaft Axial Play	0.075 mm Max. (1 kg)
Insulation Resistance	100 M $\Omega$ (DC 500 V)
Dielectric Strength	500 V AC (1 Minute)
Insulation Class	CLASS B (130°)
Temperature Rise	80°C max. (2 Phase on)
Working Temperature	-20°C ~ +50°C

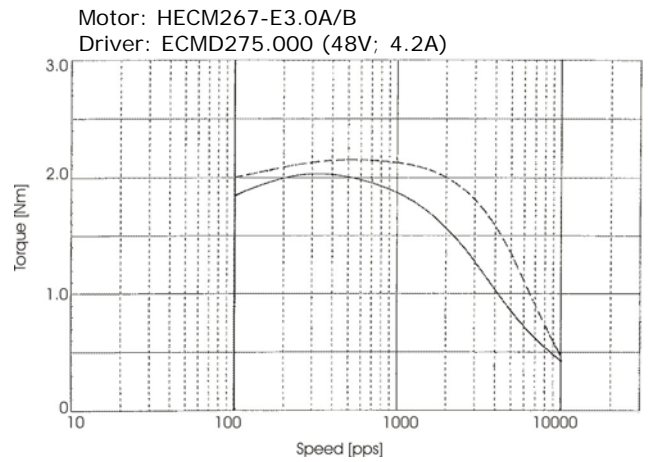
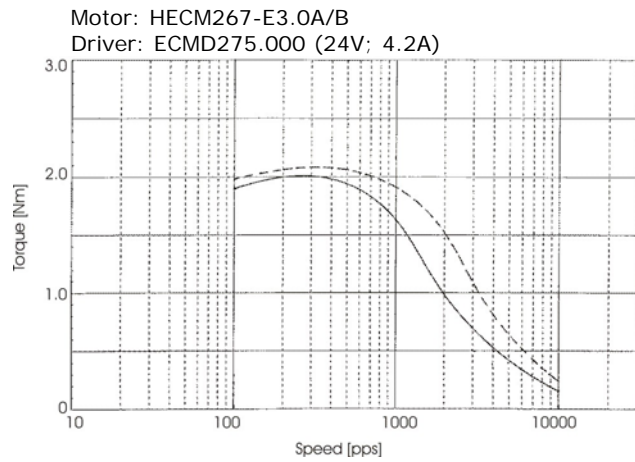


EC Motion GmbH - Auf den Steinen 20 - 41812 Erkelenz  
Tel.: +49 (0)2164-7014-0 - Fax. : +49 (0)2164-701419  
Internet: [www.ec-motion.de](http://www.ec-motion.de) - e-mail: [info@ec-motion.de](mailto:info@ec-motion.de)

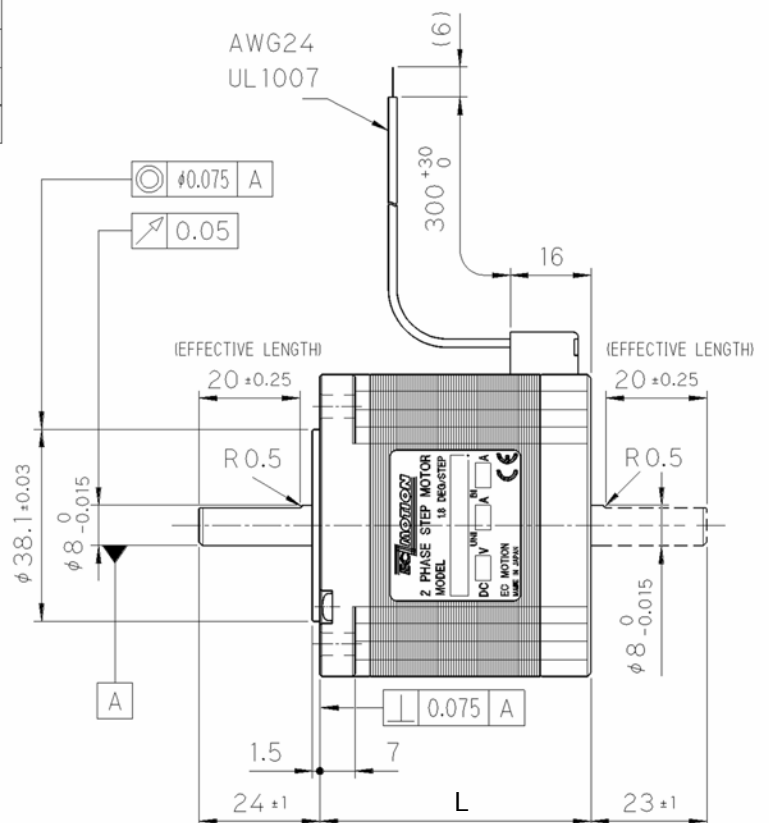
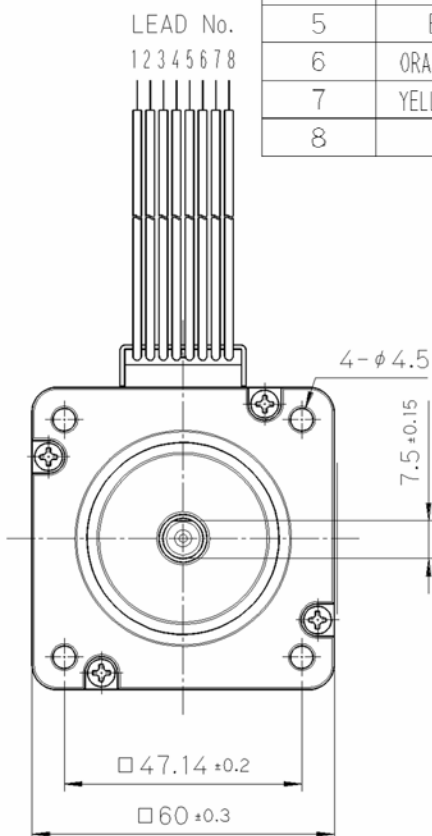


# Torque-Curve (bipolar-parallel)

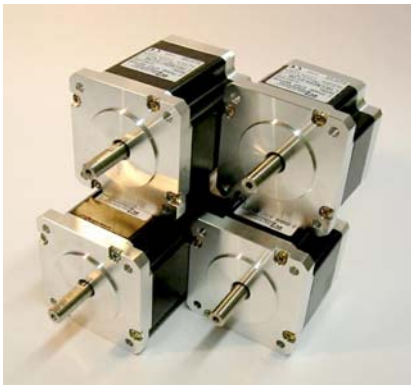
— Vollschritt  
 - - - Halbschritt



LEAD No.	LEAD COLOR
1	ORANGE
2	BLACK / WHITE
3	RED / WHITE
4	YELLOW
5	BLACK
6	ORANGE / WHITE
7	YELLOW / WHITE
8	RED







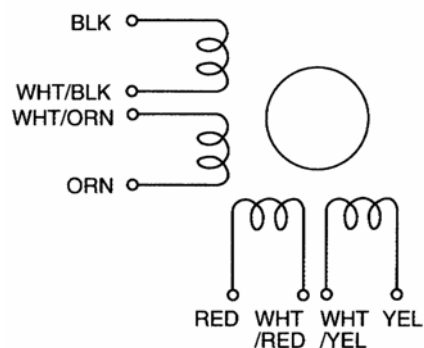
## HECM269-E2.4A HECM269-E2.4B

2-Phasen-High-Torque-Schrittmotor  
mit erhöhtem Drehmoment  
[1,8° Standard-Version]

Model		Connection Type	Holding Torque (Nm)	Current /Phase (Amps)	Resistance /Phase ( $\Omega$ ) $\pm 10\%$	Inductance /Phase (mH) $\pm 20\%$
Single Shaft	Double Shaft					
HECM269-E2.4A	HECM269-E2.4B	Bipolar (Parallel)	3.30	3.5	1.0	5.0
HECM269-E2.4A	HECM269-E2.4B	Bipolar (Series)	3.30	1.75	4.0	20.0
HECM269-E2.4A	HECM269-E2.4B	Unipolar	2.45	2.45	2.0	5.0

Number of Leads	Weight (Kg)	Size Length (L= mm)	Rotor Inertia (gcm <sup>2</sup> )
8	1.45	85	900

Shaft Runout	0.05 mm Max. T.I.R.
Shaft Radial Play	0.025 mm Max. (0.5kg)
Shaft Axial Play	0.075 mm Max. (1 kg)
Insulation Resistance	100 M $\Omega$ (DC 500 V)
Dielectric Strength	500 V AC (1 Minute)
Insulation Class	CLASS B (130°)
Temperature Rise	80°C max. (2 Phase on)
Working Temperature	-20°C ~ +50°C



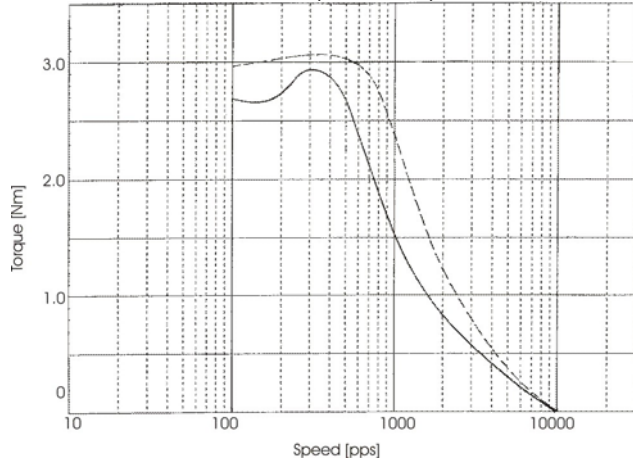
EC Motion GmbH - Auf den Steinen 20 - 41812 Erkelenz  
Tel.: +49 (0)2164-7014-0 - Fax. : +49 (0)2164-701419  
Internet: [www.ec-motion.de](http://www.ec-motion.de) - e-mail: [info@ec-motion.de](mailto:info@ec-motion.de)



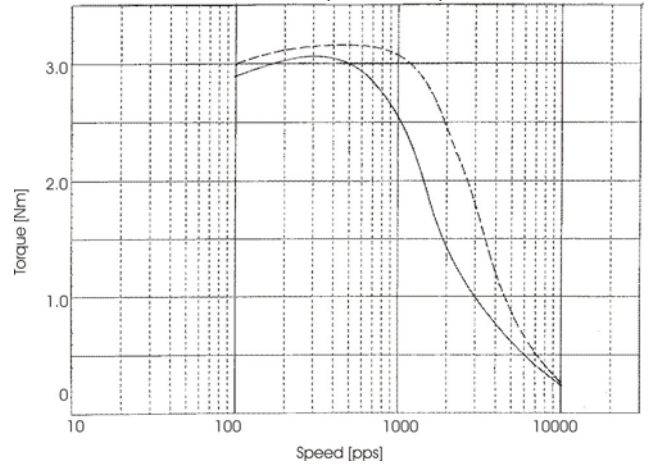
# Torque-Curve (bipolar-parallel)

— Vollschritt  
 - - - Halbschritt

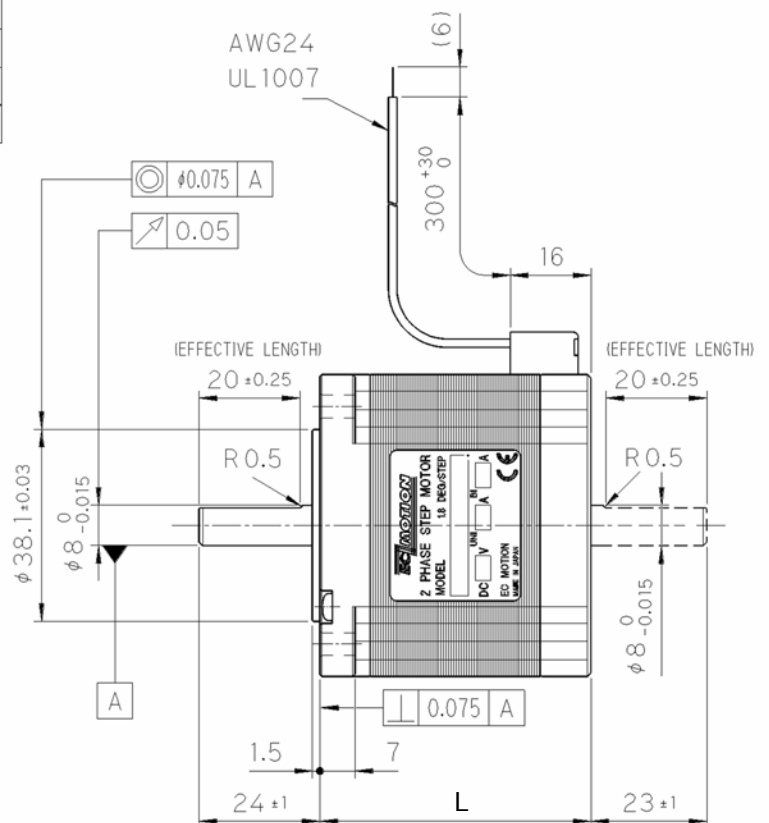
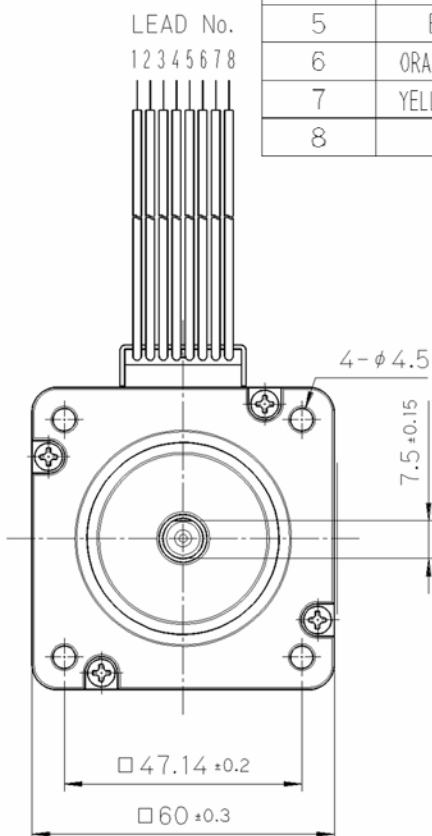
Motor: HECM269-E2.4A/B  
 Driver: ECMD275.000 (24V; 3.5A)



Motor: HECM269-E2.4A/B  
 Driver: ECMD275.000 (48V; 3.5A)



LEAD No.	LEAD COLOR
1	ORANGE
2	BLACK / WHITE
3	RED / WHITE
4	YELLOW
5	BLACK
6	ORANGE / WHITE
7	YELLOW / WHITE
8	RED





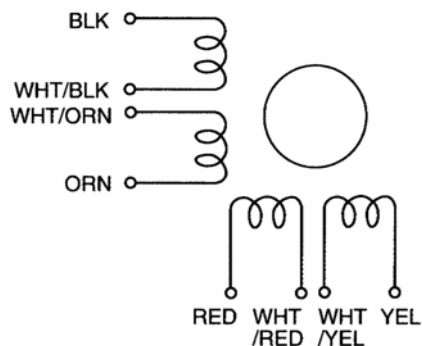
# HECEM269-E3.0A HECEM269-E3.0B

2-Phasen-High-Torque-Schrittmotor  
mit erhöhtem Drehmoment  
[1,8° Standard-Version]

Model		Connection Type	Holding Torque (Nm)	Current /Phase (Amps)	Resistance /Phase ( $\Omega$ ) $\pm$ 15%	Inductance /Phase (mH) $\pm$ 20%
Single Shaft	Double Shaft					
HECEM269-E3.0A	HECEM269-E3.0B	Bipolar (Parallel)	3.30	4.2	0.65 *	3.2
HECEM269-E3.0A	HECEM269-E3.0B	Bipolar (Series)	3.30	2.1	2.60 *	12.8
HECEM269-E3.0A	HECEM269-E3.0B	Unipolar	2.45	3.0	1.30 *	3.2

Number of Leads	Weight (Kg)	Size Length (L= mm)	Rotor Inertia (gcm <sup>2</sup> )
8	1.45	85	900

Shaft Runout	0.05 mm Max. T.I.R.
Shaft Radial Play	0.025 mm Max. (0.5kg)
Shaft Axial Play	0.075 mm Max. (1 kg)
Insulation Resistance	100 M $\Omega$ (DC 500 V)
Dielectric Strength	500 V AC (1 Minute)
Insulation Class	CLASS B (130°)
Temperature Rise	80°C max. (2 Phase on)
Working Temperature	-20°C ~ +50°C



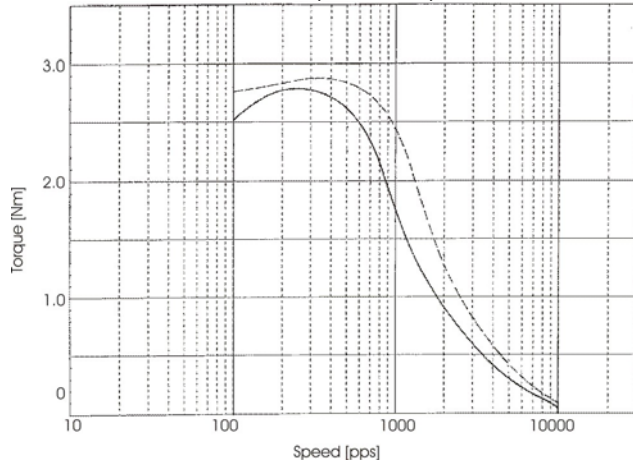
EC Motion GmbH - Auf den Steinen 20 - 41812 Erkelenz  
Tel.: +49 (0)2164-7014-0 - Fax. : +49 (0)2164-701419  
Internet: [www.ec-motion.de](http://www.ec-motion.de) - e-mail: [info@ec-motion.de](mailto:info@ec-motion.de)



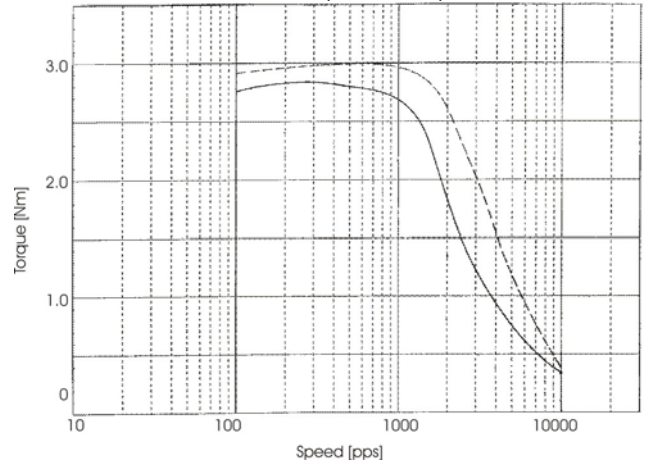
# Torque-Curve (bipolar-parallel)

— Vollschritt  
 - - - Halbschritt

Motor: HECM269-E3.0A/B  
 Driver: ECMD275.000 (24V; 4.2A)



Motor: HECM269-E3.0A/B  
 Driver: ECMD275.000 (48V; 4.2A)



LEAD No.	LEAD COLOR
1	ORANGE
2	BLACK / WHITE
3	RED / WHITE
4	YELLOW
5	BLACK
6	ORANGE / WHITE
7	YELLOW / WHITE
8	RED

