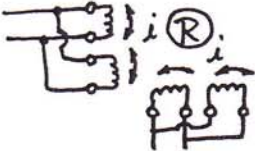

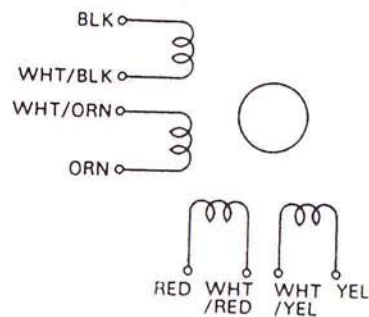
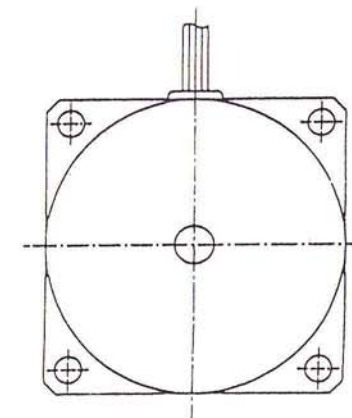
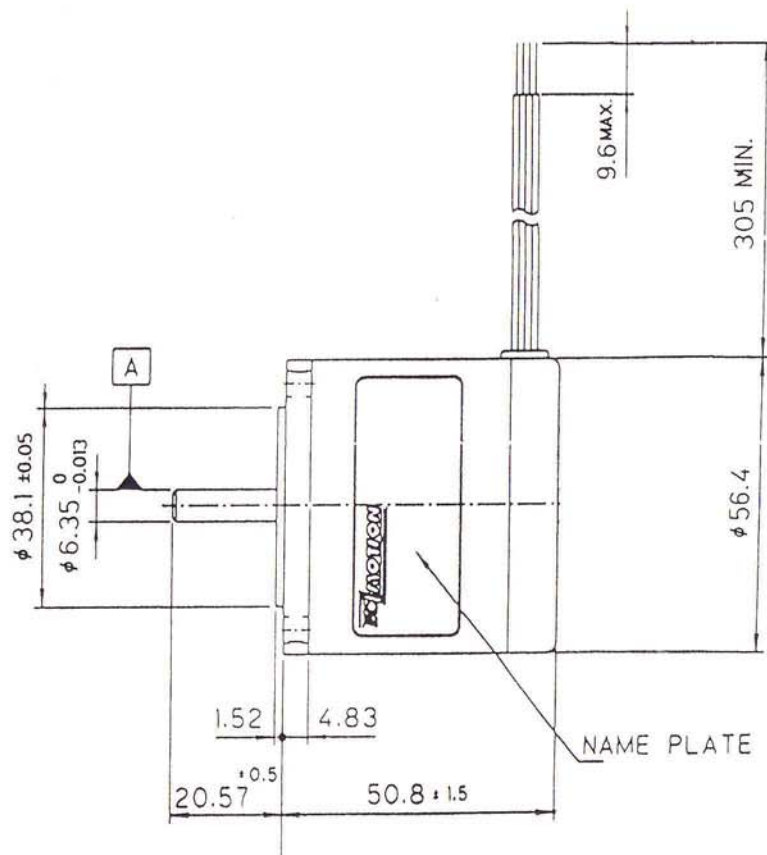
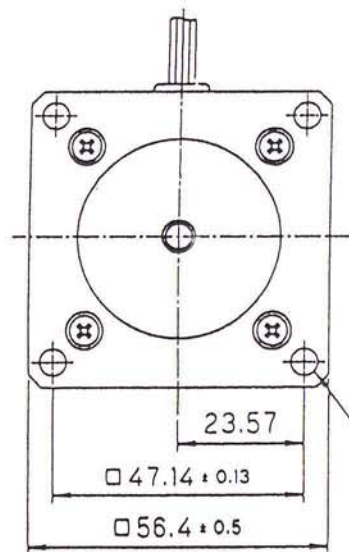


TITLE:	STEPPING MOTOR SPECIFICATION	
EC MOTION MODEL NO.:	ECM266-E0.6A =====	
DRIVE MODE:	BIPOLAR (PARALLEL)	UNIPOLAR
NUMBER OF PHASE:	2	2
FULL STEP ANGLE:	1.8 DEG.	1.8 DEG.
DC VOLTAGE:	8.5 V	12 V
CURRENT PER PHASE:	$i = 0.85$ A/PHASE	$i = 0.6$ A/PHASE
CURRENT PER WINDING:	0.43 A/WINDING	-
RESISTANCE PER PHASE:	10 Ohm/PHASE	20 Ohm/PHASE
RESISTANCE PER WINDING:	20 Ohm/WINDING	-
INDUCTANCE PER WINDING:	33 mH/WINDING	33 mH/PHASE
HOLDING TORQUE:	70 Ncm	60 Ncm
POSITIONAL ACCURACY:	+ - 5 %	+ - 5 %
ROTOR INERTIA:	100 gcm ²	100 gcm ²
WINDING CONNECTION:		
INSULATION RESISTANCE:	100 M Ohm AND UP AT A NORMAL AMBIENT TEMPERATURE AND HUMIDITY. (AT DC 500V MEGGER BETWEEN THE WINDINGS AND THE FRAME.)	
DIELECTRIC STRENGTH:	NO ABNORMALITY OCCURS WHEN 500V AT 50Hz IS APPLIED BETWEEN THE WINDINGS AND THE FRAME FOR 1 MINUTE AFTER A PERIOD OF CONTINUOUS OPERATION UNDER NORMAL AMBIENT TEMPERATURE AND HUMIDITY.	
TEMPERATURE RISE:	TEMPERATURE RISE OF THE WINDING MEASURED BY THE CHANGE RESISTANCE METHOD IS MAX. 80 DEG.C. AFTER THE RATED RANGE OF OPERATION (2-PHASE EX. 0 PPS).	
INSULATION CLASS:	B	
WEIGHT:	550 g	
NUMBER OF LEADS:	8 PCS	
LEADS COLOR:	PHASE A BLACK-BLK/WHT ORG/WHT-ORANGE	PHASE B RED-RED/WHT YEL/WHT-YELLOW

EC Motion GmbH
 Auf den Steinen 20
 41812 Erkelenz
 Tel.: +49-2164-7014-0
 www.ec-motion.de

REVISIONS			
No.	DESCRIPTION	DATE	SIGN



ECM266 – E0.6A