

TITLE: STEPPING MOTOR SPECIFICATION

EC MOTION MODEL NO.: SECM245-F1.2B-1
=====

DRIVE MODE: BIPOLAR DRIVE

NUMBER OF PHASE: 2 PHASE

FULL STEP ANGLE: 1.8 °

DC VOLTAGE: 4.0 V

CURRENT PER PHASE: $I = 1.2$ A/PHASE

RESISTANCE PER PHASE: 3.3 Ohm/PHASE +-10 %

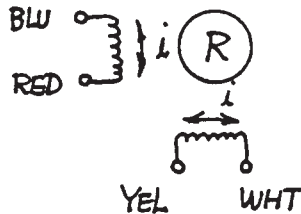
INDUCTANCE PER WINDING: 5.5 mH/PHASE +-20 %

HOLDING TORQUE: 41 Ncm 2 PHASE-EX.

POSITIONAL ACCURACY: +- 5 %

ROTOR INERTIA: 68 gcm²

WINDING CONNECTION:



INSULATION RESISTANCE: 100 M Ohm AND UP AT A NORMAL AMBIENT TEMPERATURE AND HUMIDITY.
(AT DC 500V MEGGER BETWEEN THE WINDINGS AND THE FRAME.)

DIELECTRIC STRENGTH: NO ABNORMALITY OCCURS WHEN 500V AT 50HZ IS APPLIED BETWEEN THE WINDINGS AND THE FRAME FOR 1 MINUTE AFTER A PERIOD OF CONTINUOUS OPERATION UNDER NORMAL AMBIENT TEMPERATURE AND HUMIDITY.

TEMPERATURE RISE: TEMPERATURE RISE OF THE WINDING MEASURED BY THE CHANGE RESISTANCE METHOD IS MAX. 80 DEG.C. AFTER THE RATED RANGE OF OPERATION (2-PHASE EX. 0 PPS).

WEIGHT: 330 kg

NUMBER OF LEADS: 4 PCS

LEADS COLOR: PHASE A = BLUE - RED
PHASE B = YELLOW - WHITE

EC-MOTION

Vertrieb und Entwicklung
für Antriebstechnik GmbH

Auf den Steinen 20

41812 Erkeienz - Keyenberg

Tel. 0 21 64 / 70 14-0 • Fax 70 14 19

Pin No.	Color
1	BLUE
2	RED
3	YELLOW
4	WHITE

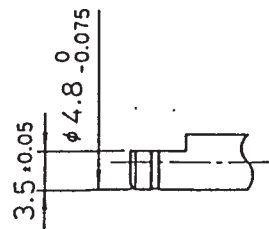
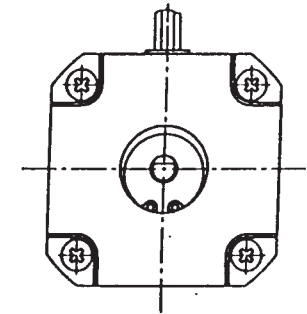
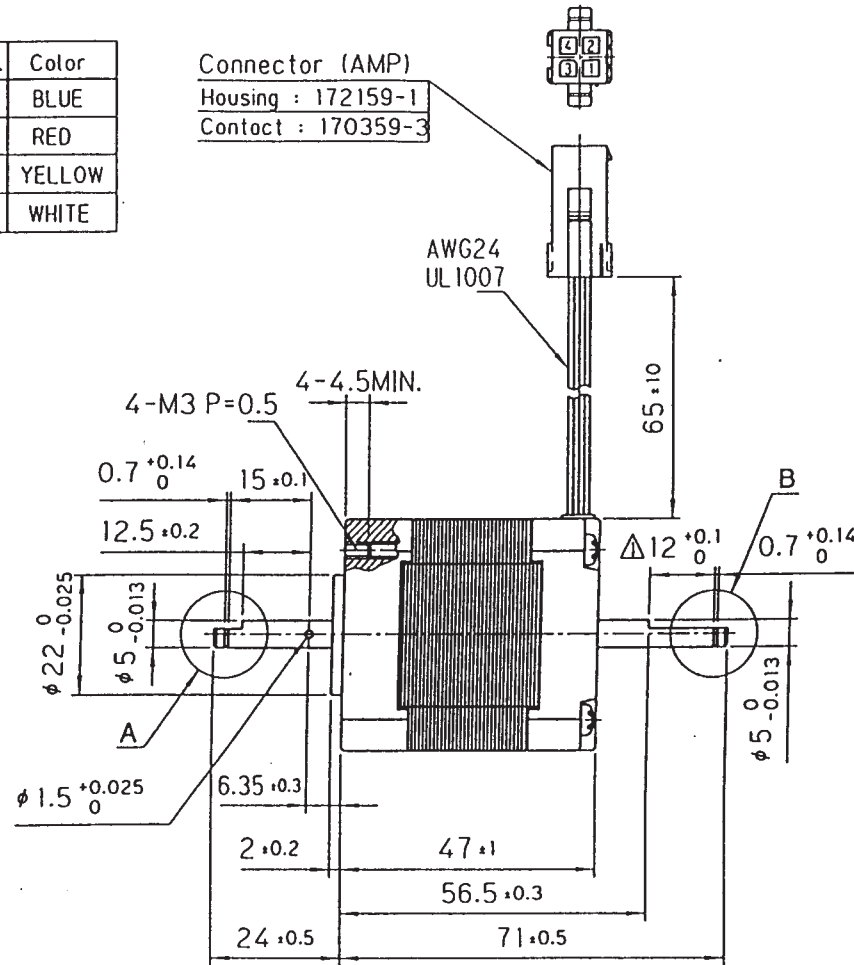
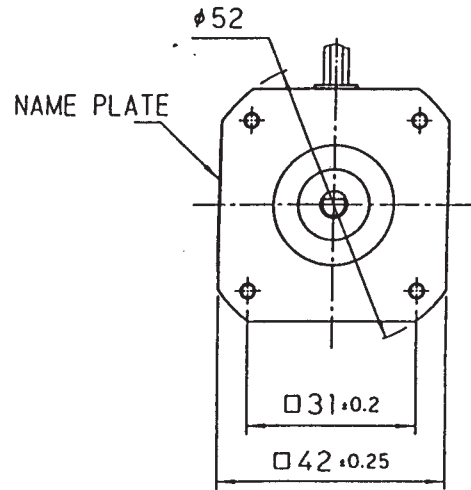
Connector (AMP)

Housing : 172159-1

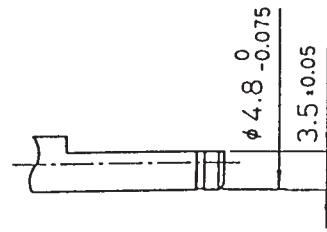
Contact : 170359-3



AWG24
UL1007



DETAIL A (2/1)



DETAIL B (2/1)

SECM245-F1.2B-1