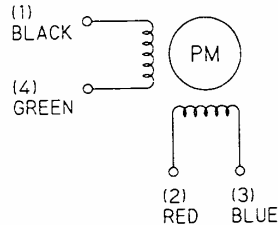


TITLE:

STEPPING MOTOR SPECIFICATION:

EC Motion Model No.:	SECM243-F0.2A-2	42 x 42 x 33 mm
Drive Mode:	Bipolar	
Number of Phase:	2 Phase	
Full Step Mode:	1.8	[°]
DC Voltage:	17	[V]
Current per Phase:	0.21	[A / Phase]
Resistance per Phase:	80 ± 10 %	[Ohm / Phase]
Inductance per Winding:	88 ± 20 %	[mH / Phase]
Holding Torque:	0.22	[Nm]
Positional Accuracy:	± 5	[%]
Rotor Inertia:	35	[gcm ²]

Winding Diagramm:



Insulation Resistance:	100 MOhm AND UP AT A NORMAL AMBIENT TEMPERATURE AND HUMIDITY.
Dielectric Strength:	(AT DC 500V MEGGER BETWEEN THE WINDING AND THE FRAME). NO ABNORMALITY OCCURS WHEN 500V AT 50HZ IS APPLIED BETWEEN THE WINDINGS AND THE FRAME FOR 1 MINUTE AFTER A PERIOD OF CONTINUOUS OPERATION UNDER NORMAL AMBIENT TEMPERATURE AND HUMIDITY.
Temperature Rise:	TEMPERATURE RISE OF THE WINDING MEASURED BY THE CHANGE RESISTANCE METHOD IS MAX. 80 DEG C. AFTER THE RATED OF OPERATION (2-PHASE EX. 0 PPS.)
Isulation Class:	B
Weight:	200 [g]
Number of Leads:	4 pcs.
Leadwires:	Phase A = (1) Black - (4) Green Phase B = (2) Red - (3) Blue

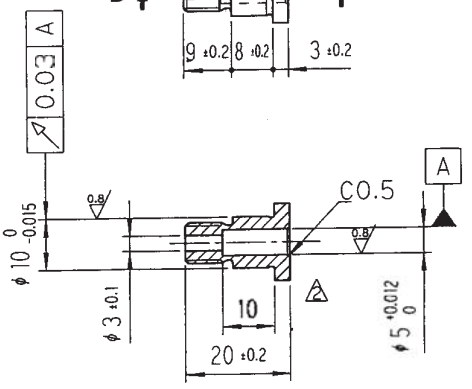
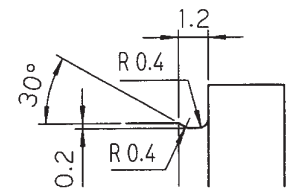
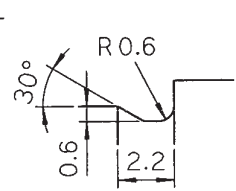
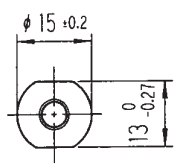
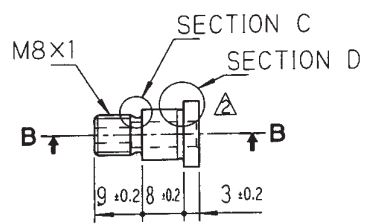
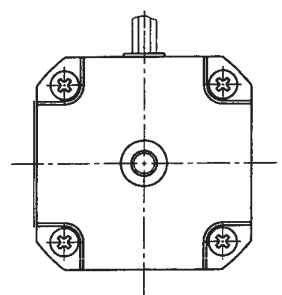
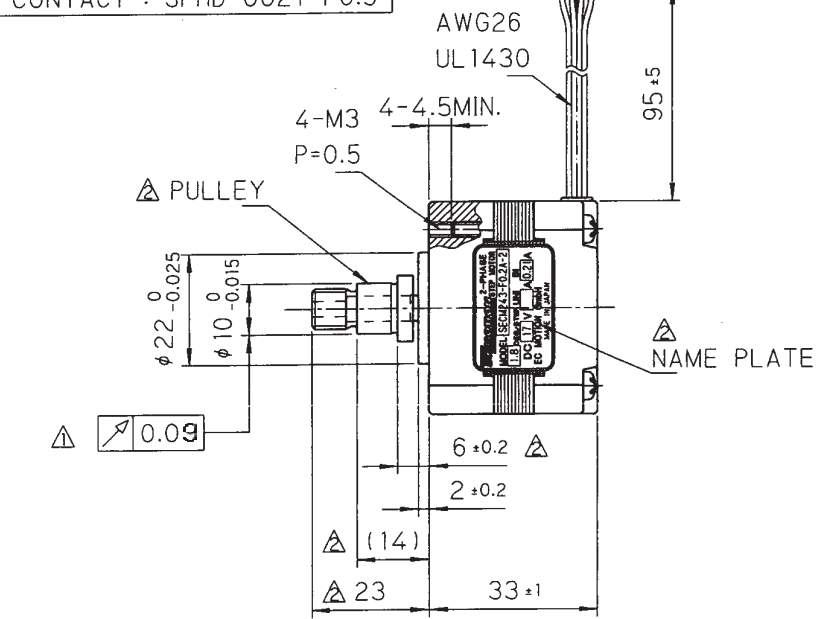
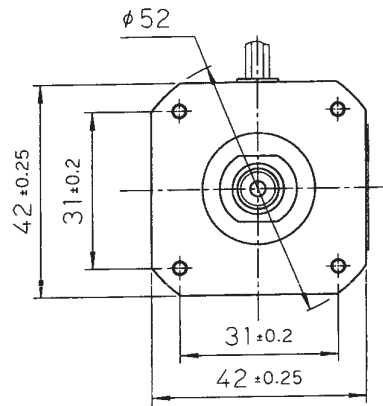
CONNECTION

PIN No.	COLOR
1	BLACK
2	RED
3	BLUE
4	GREEN

CONNECTOR (JST)
 HOUSING : PAP-04V-S
 CONTACT : SPHD-002T-P0.5

REVISIONS

No.	DESCRIPTION	DATE	SIGN
△	プーリ振れ指示 追加	04. 6. 8	
△	プーリ形状変更・軸長変更 鈍板の客先形式変更	04. 6. 8	



PULLEY DETAIL
 MATERIAL : ALM.

指定なき寸法公差は ±0.5mmとする。

UNLESS OTHERWISE SPECIFIED, TOLERANCE IS ±0.5

PRELIMINARY
 参考 ☒



ITEM NO.	PART NO.	PART NAME	QTY	MATERIAL / SPEC
LIST OF MATERIAL				
DATE	MODEL NO.	TITLE		
03. 7. 8	SECM243-F0.2A-2	ステップモータ外形図		
SCALE	3RD ANGLE PROJECTION	STEP MOTOR OUTLINE		
DWG NO.	3	4	5	6
	7	8	9	10
	11	12	SHEET	
O T D 0 0 0 0 7 8 Y 0 0 /				