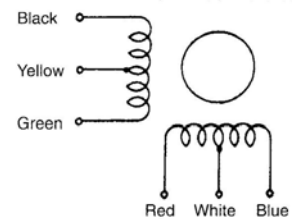
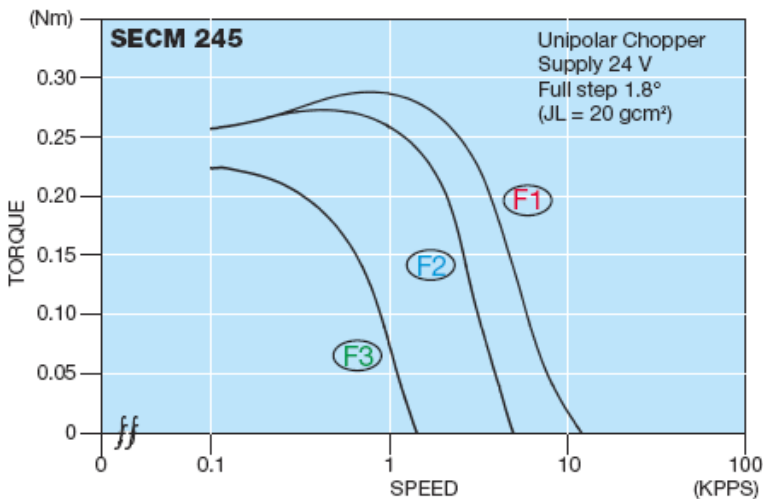
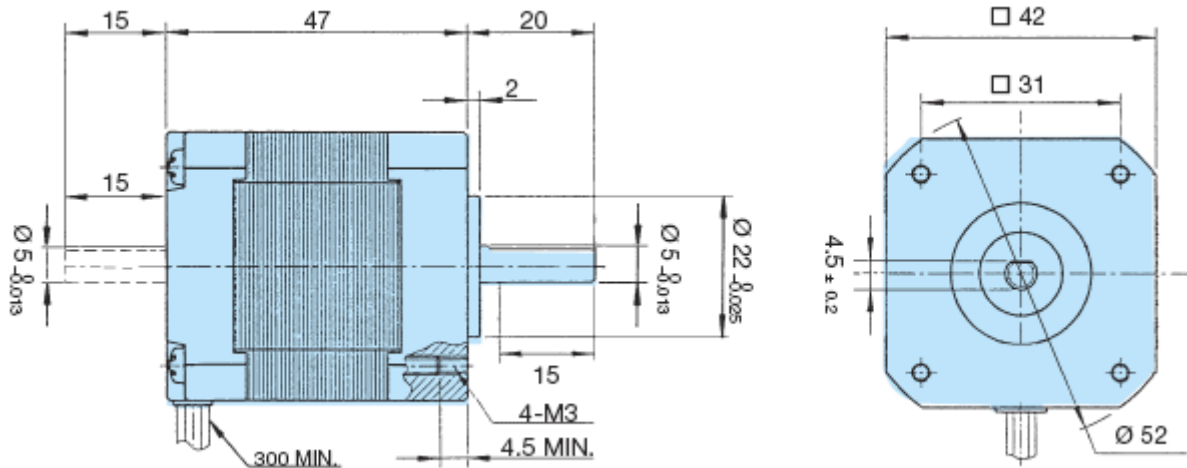


SECM245... Serie 2-Phasen-Schrittmotor [1,8° High-Torque-Version]

Model A = Single Shaft B = Double Shaft	● Bipolar Seriell				● Unipolar				Speed Torque
	Holding Torque [Nm]	Current / Phase [A]	Resistance / Phase [Ohm]	Inductance / Phase [mH]	Holding Torque [Nm]	Current / Phase [A]	Resistance / Phase [Ohm]	Inductance / Phase [mH]	
SECM245-S1.2 (A/B)	0.41	0.85	6.6	12.0	0.32	1.20	3.3	3.0	F1
SECM245-S0.8 (A/B)	0.41	0.57	18.0	38.0	0.32	0.80	9.0	9.5	F2
SECM245-S0.4 (A/B)	0.41	0.28	60.0	116.0	0.32	0.40	30.0	29.0	F3

Number of Leads	Weight of Motor	Size Length	Rotor Inertia
6	0.3 kg	47 mm	$68 \times 10^{-7} \text{ kgm}^2$



Planetengetriebe / Encoder sind optional erhältlich